

REV A

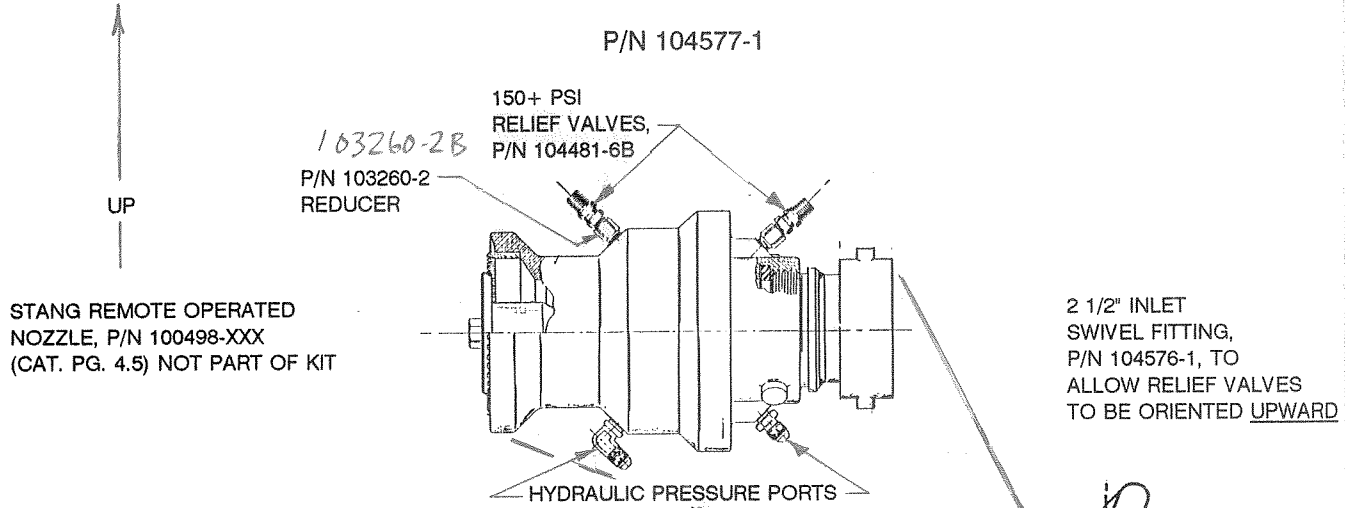
PART # 104577-1

12/28/04

TECHNICAL BULLETIN TB-4

AUTOMATIC AIR BLEED SYSTEM

FOR STANG REMOTE NOZZLE/HYD. PUMP INSTALLATIONS



KIT, P/N 104577-1, CONSISTS OF:

- 1 PC., INLET SWIVEL, P/N 104576-1
- 2 PCS., RELIEF VALVE, P/N 104481-6B
- 1 PC., CABLE TIE, P/N 104590-15.2 *SB*
- 2 PCS., REDUCER, P/N 103260-2 *B*

TO INSTALL:

REMOVE THE 2 PETCOCK BLEED VALVES AND REPLACE WITH THE 2 RELIEF VALVES SUPPLIED

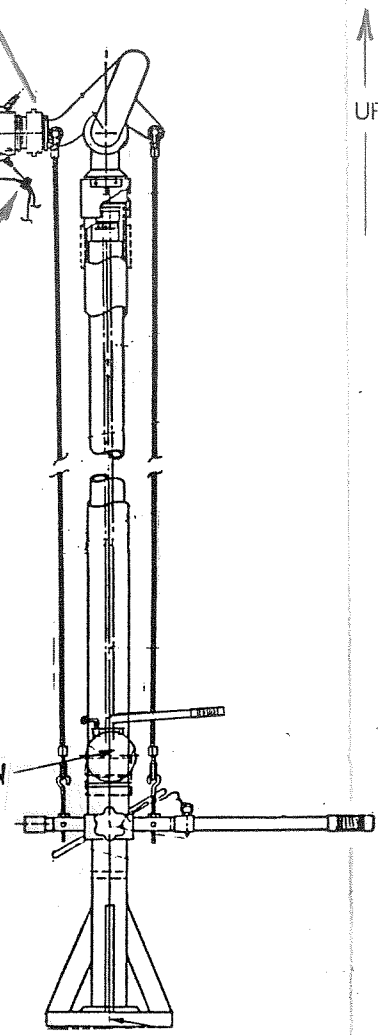
ATTACH THE REMOTE NOZZLE TO THE MONITOR WITH THE INLET SWIVEL FITTING ENSURING THAT THE 2 RELIEF VALVES WILL BE POINTING UPWARD IN THE FINAL INSTALLATION. NOTE: THE 2 HYDRAULIC HOSE FITTINGS WILL BE ON THE BOTTOM AND POINTING DOWNWARD IN THE FINAL INSTALLATION.

TIE THE 2 HYDRAULIC HOSES TOGETHER CLOSE TO THE NOZZLE TO PREVENT THE OUTER NOZZLE HOUSING FROM TWISTING DURING OPERATION BY THE ACTION OF THE PRESSURIZED HOSES (TIES IN THE KIT)

TO OPERATE:

AFTER COMPLETING THE HYDRAULIC LINE INSTALLATION, SET THE HAND PUMP IN THE P1 POSITION AND PUMP UNTIL OIL COMES OUT OF ONE OF THE RELIEF VALVES. REPEAT WITH THE PUMP IN THE P2 POSITION. REFILL OIL RESERVOIR AS REQUIRED.

STANG P/N 03-1600 HAND PUMP



104577-1

AIR BLEED



MARCH 90

0161