

Technical Bulletin



Stang Industrial Products
951-479-9810
www.stangindustrial.com

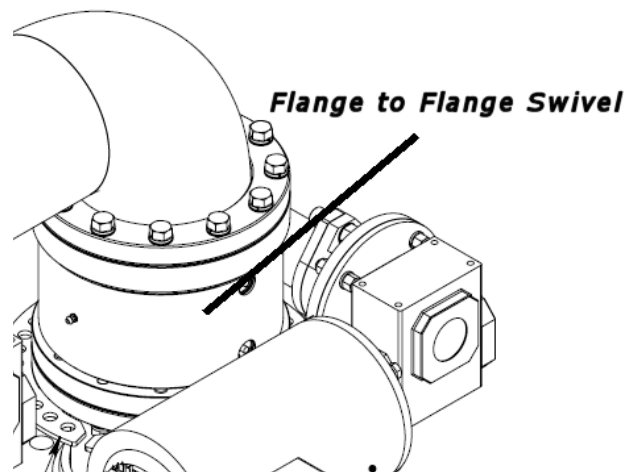
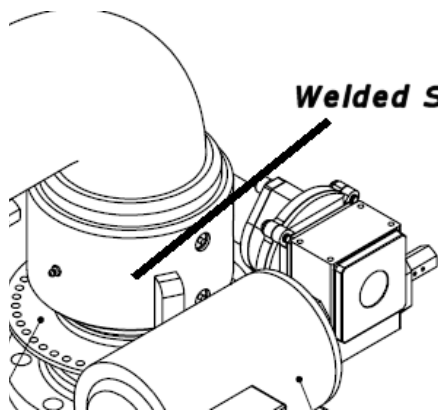
Technical Bulletin #: TB-110
Part #: N/A
Description: 6.00" & 8.00" Electric & Hydraulic Monitor Swivels
TB Description: Flanged Swivel Update

Design Change Notice:

Swivels on the Stang Electric & Hydraulic 6.00" & 8.00" series monitors will be manufactured with Flange to Flange swivels instead of a fixed weld-on type swivel.

Stang Industries/Counterfire Ltd. will no longer manufacture its fixed swivel six and eight inch series of monitors but will still make available replacement parts to the customer. The new "Flanged to Flange" design will be standard on all new orders of the 6.00" Super Low Pro and 8.00" Super Low Pro monitors.

The superior Flange to Flange design allows for ease of manufacturing, assembly and maintenance while maintaining the same performance.



TECHNICAL BULLETIN#: TB-110
REV A 08/04/09
AUTHOR: DB