

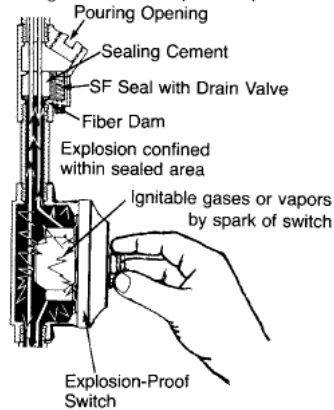
# Technical Bulletin



Stang Industrial Products  
951-479-9810  
[www.stangindustrial.com](http://www.stangindustrial.com)

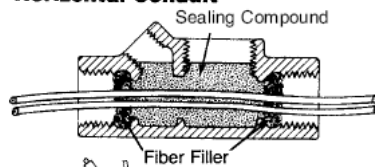
Technical Bulletin #: TB-106  
Part #: N/A  
Description: Sealing Off Explosion Proof Fittings  
TB Description: NEC Sec. 501-5 procedures for sealing EX Fittings; Class I, Div 1 & 2

Sealing fittings prevent passage of gases, vapors or flames from one portion of a conduit system to another. They also restrict large amounts of ignitable gases or vapors from accumulating to confine explosive pressure.

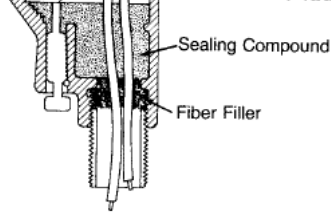


Appleton sealing fittings are suitable for Class I and II locations. EYS, SF and EYD are for sealing vertical conduit. EY and ESU are for sealing vertical and horizontal conduit. SF and EYD also have drain valves.

### Damming and Pouring: Horizontal Conduit

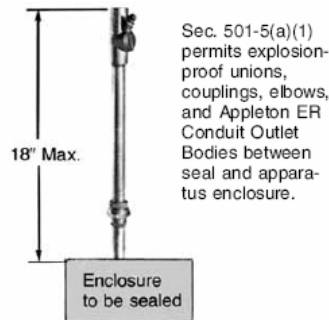


### Damming and Pouring: Vertical Conduit



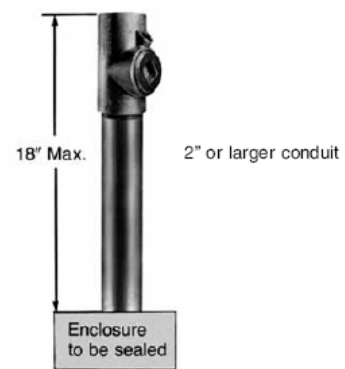
### Class I, Div. 1 and 2

Seals must be placed in each conduit within 18" of a device that may produce arcs, sparks, or high temperatures.



### Class I, Div. 1 and 2

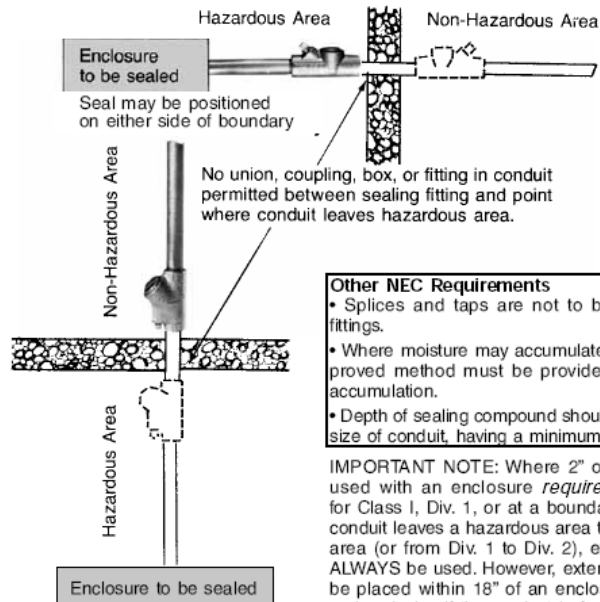
Where 2" or larger conduit enters enclosure, fitting housing terminals, splices or taps, seals are required within 18" or such enclosure.



### Class I, Div. 1 and 2

Sealing fittings must be installed at boundary between a hazardous and non-hazardous area.\*

\* Sealing fitting must also be installed at boundary between a Class I, Div. 1 area and a Class I, Div. 2 area.



### Other NEC Requirements

- Splices and taps are not to be used in sealing fittings.
- Where moisture may accumulate in system, an approved method must be provided to remove such accumulation.
- Depth of sealing compound should be equal to trade size of conduit, having a minimum thickness of 5/8".

**IMPORTANT NOTE:** Where 2" or larger conduit is used with an enclosure *required* to be approved for Class I, Div. 1, or at a boundary where any size conduit leaves a hazardous area to a non-hazardous area (or from Div. 1 to Div. 2), external seals must ALWAYS be used. However, external seals need not be placed within 18" of an enclosure containing an arcing device if the product is factory sealed for the specific Class and Group.