

Technical Bulletin



Stang Industrial Products
951-479-9810
www.stangindustrial.com

Technical Bulletin #: TB-103
Part #: N/A
Description: 2.50" Hose Swivel Maintenance
TB Description: For disassembly & assembly of 2 1/2" hose swivels

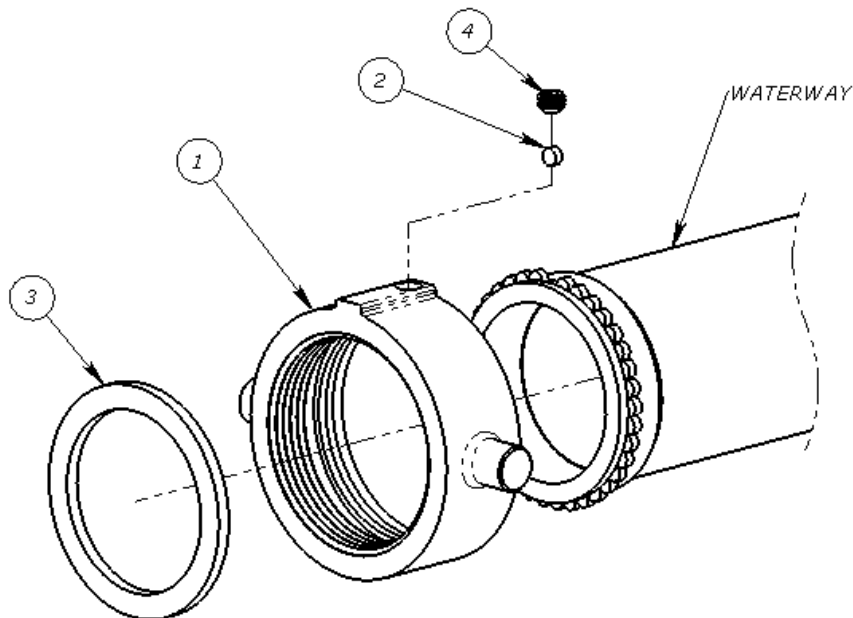
The 2 1/2" Stang hose swivel assembly as shown below is used to connect female to male hose sections. The major components to this assembly are listed below.

To disassemble, remove the set screw (4) and remove the discs (2). All discs must be removed in order to let the swivel (1) slide off the waterway.

To reassemble, perform the above steps in reverse. Apply thread adhesive to the set screw. Make certain to not over tighten the set screw as this will interfere with the disc movement.

Grease is not required for this assembly but a light spray of dry lubricant may make the swivel turning seem smoother.

ITEM NO.	QTY.	PART NO.	DESCRIPTION
1	1	102683-3	SWIVEL, F/M 2.5-7.5NH, AC
2	37	100349-1	DISC, .25 X .125 LG. AL-BRZ
3	1	100275-1	GASKET, 2.5", NEOPRENE
4	1	102194-1B	SCREW, SET, FP, 3/8-24UNF X .25LG., BRS



TECHNICAL BULLETIN#: TB-103
REV A 04/26/06
AUTHOR: EK