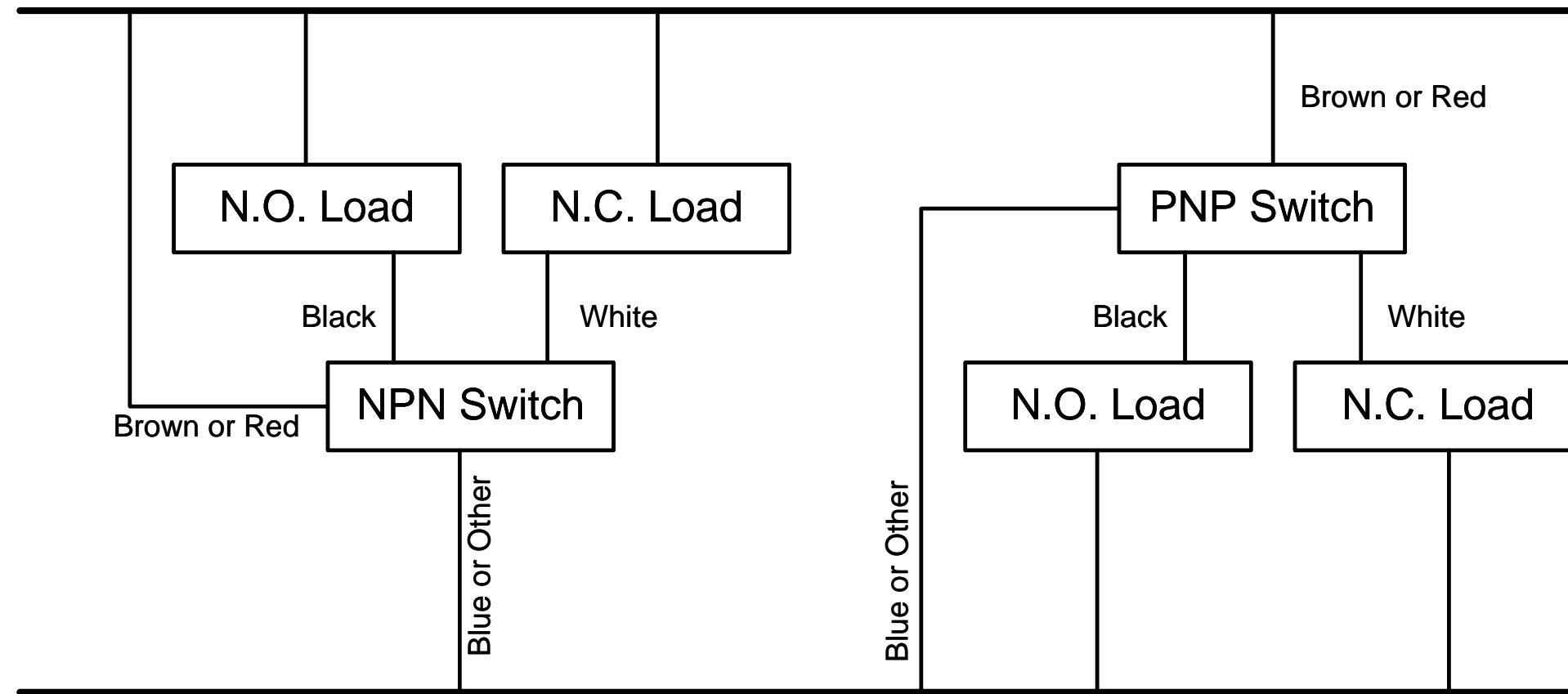


REVISIONS			
REV.	DESCRIPTION	DATE	BY
A	INITIAL RELEASE	07/09/09	EK

For 10-30VDC 4 Wire Proximity Switches

(+) Voltage Supply



(-) Voltage Supply

- NOTES:
- DO NOT SCALE THIS DRAWING
 - DUE TO VARIOUS MANUFACTURERS OF SWITCHES AND COLORS USED FOR WIRES, TEST EACH SWITCH PRIOR TO INSTALLATION. COLORS SHOWN ON SCHEMATIC ARE MOST COMMON.



STANG INDUSTRIES INC.
 WWW.STANGINDUSTRIES.COM
 951-479-9810

ELECTRICAL SCHEMATIC
PNP & NPN 4 WIRE PROX
SWITCH WIRING

PART#	105208-721		REF PART #	B
CAGE	55822	DRAWN	EK	CHECK
DATE	07/09/09	DESIGN	SCALE	REVISION
			NTS	A
				SHEET
				1 OF 1

The information and design disclosed herein is the property of Stang Industries Inc. All proprietary use and sales rights thereto are reserved. This disclosure is confidential and must not be copied in whole or part.