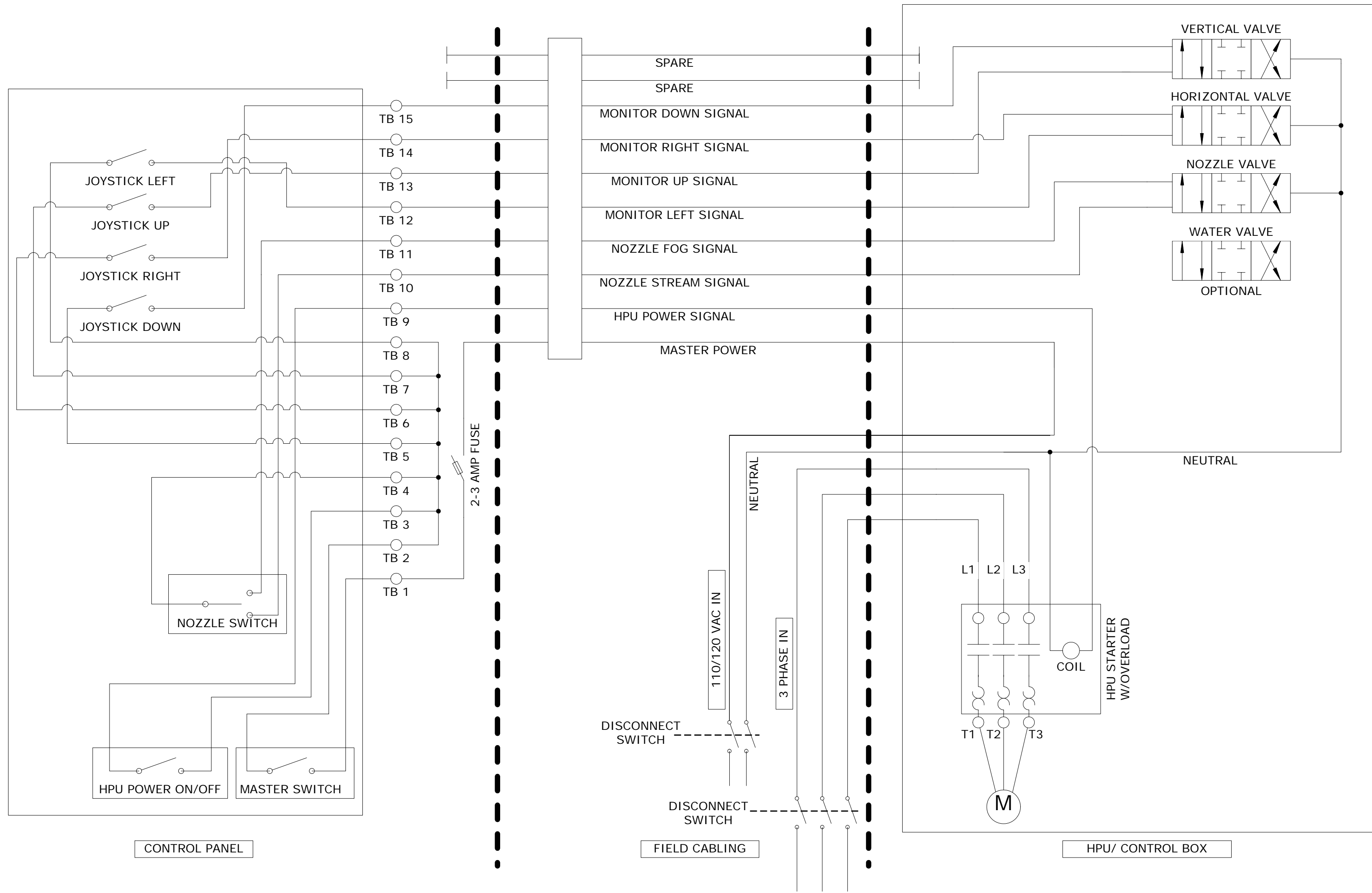


REVISIONS			
REV.	DESCRIPTION	DATE	BY
A	INITIAL RELEASE	06/04/08	EK




- NOTES:
- DO NOT SCALE THIS DRAWING.
 - SET MOTOR STARTER OVERLOAD TO PROPER CURRENT RATING.
 - THIS DRAWING IS FOR USE WITH 101888-351 PANEL.
 - FIELD CABLING MAY BE MULTI CONDUCTOR CORD OR MULTI CONDUCTORS IN CONDUIT.
 - ROUTE SYSTEM TO FOLLOW LOCAL CODES & REGULATION

WIRE NAME	AWG	SIGNAL START	START TB #	SIGNAL END	END TB #
SPARE	12-14AWG	N/A	*	N/A	*
SPARE	12-14AWG	N/A	*	N/A	*
MONITOR DOWN SIGNAL	12-14AWG	CONTROL PANEL	15	HPU/ CONTROL BOX	*
MONITOR RIGHT SIGNAL	12-14AWG	CONTROL PANEL	14	HPU/ CONTROL BOX	*
MONITOR UP SIGNAL	12-14AWG	CONTROL PANEL	13	HPU/ CONTROL BOX	*
MONITOR LEFT SIGNAL	12-14AWG	CONTROL PANEL	12	HPU/ CONTROL BOX	*
NOZZLE FOG SIGNAL	12-14AWG	CONTROL PANEL	11	HPU/ CONTROL BOX	*
NOZZLE STREAM SIGNAL	12-14AWG	CONTROL PANEL	10	HPU/ CONTROL BOX	*
HPU POWER SIGNAL	12-14AWG	CONTROL PANEL	9	HPU/ CONTROL BOX	*
MASTER POWER	12-14AWG	HPU/ CONTROL BOX	*	CONTROL PANEL	TB 1
WIRE NAME	AWG	SIGNAL START	START TB #	SIGNAL END	END TB #

WIRE LIST

The information and design disclosed herein is the property of Stang Industries Inc. All proprietary use and sales rights thereto are reserved. This disclosure is confidential and must not be copied in whole or part.

SHEET SIZE
C



STANG INDUSTRIES INC.
WWW.STANGINDUSTRIES.COM
951-479-9810

ELECTRICAL SCHEMATIC

SCHEMATIC, 101888-351 INTERCONNECTION

DRAWING/ PART NO.		105208-531	
CAGE#	55822	DRAWN	EK
DATE	06/04/08	DESIGN	
CHECK		SCALE	1:1
REVISION	A	SHEET	1 OF 1