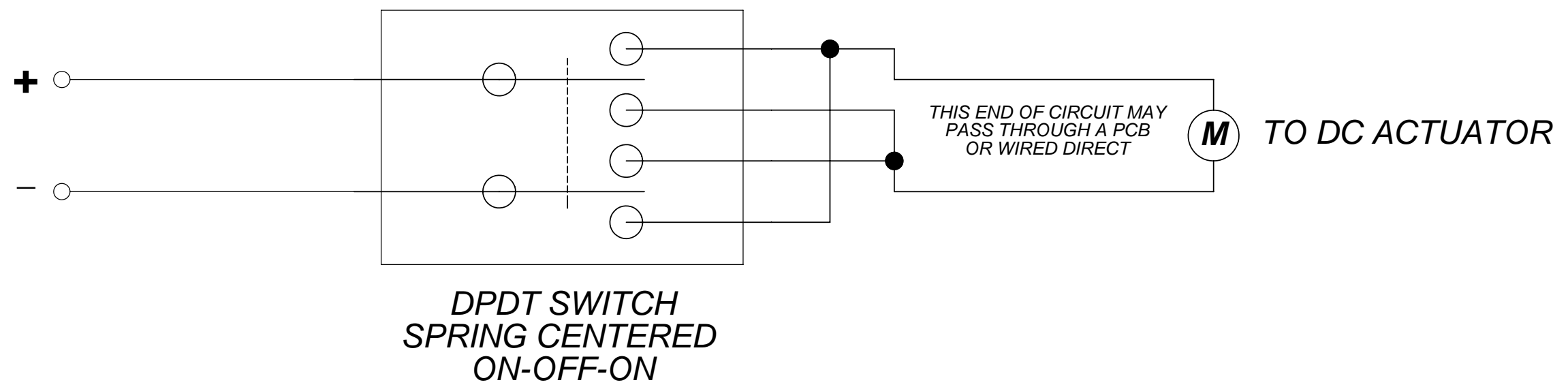


NOTES:
 1. DO NOT SCALE THIS DRAWING.

REVISIONS			
REV.	DESCRIPTION	DATE	BY
A	INITIAL RELEASE	04/30/07	EK



STANG INDUSTRIES INC. 1250 RAILROAD ST. CORONA, CA 92882			
ELECTRICAL SCHEMATIC			
12 & 24VDC NOZZLE WIRING			
PART#	105208-481	REF PART #	B
CAGE	55822	DRAWN	EK
DATE	04/30/07	CHECK	REVISION A
	DESIGN	SCALE	SHEET
		NTS	1 OF 1

The information and design disclosed herein is the property of Stang Industries Inc. All proprietary use and sales rights thereto are reserved. This disclosure is confidential and must not be copied in whole or part.