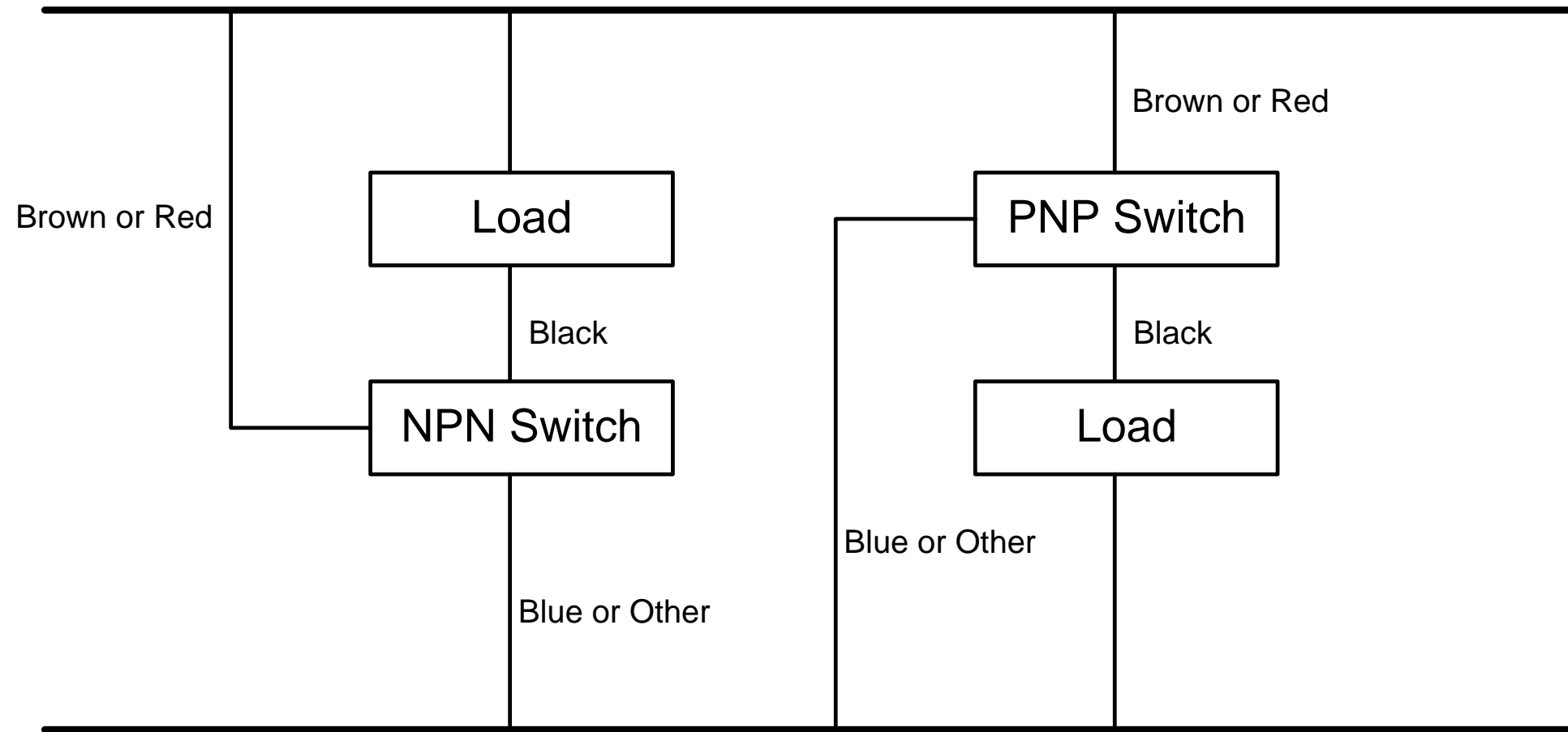


NOTES:
 1. DO NOT SCALE THIS DRAWING.

REVISIONS			
REV.	DESCRIPTION	DATE	BY
A	INITIAL RELEASE	12/11/06	EK

For 10-30VDC Proximity Switches

(+) Voltage Supply



(-) Voltage Supply



STANG INDUSTRIES INC.
 1250 RAILROAD ST.
 CORONA, CA 92882

ELECTRICAL SCHEMATIC

PNP & NPN PROX SWITCH WIRING

PART#	105208-461		REF PART #	B
CAGE	55822	DRAWN	EK	CHECK
DATE	12/11/06	DESIGN	SCALE	REVISION
			NTS	A
				SHEET
				1 OF 1

The information and design disclosed herein is the property of Stang Industries Inc. All proprietary use and sales rights thereto are reserved. This disclosure is confidential and must not be copied in whole or part.