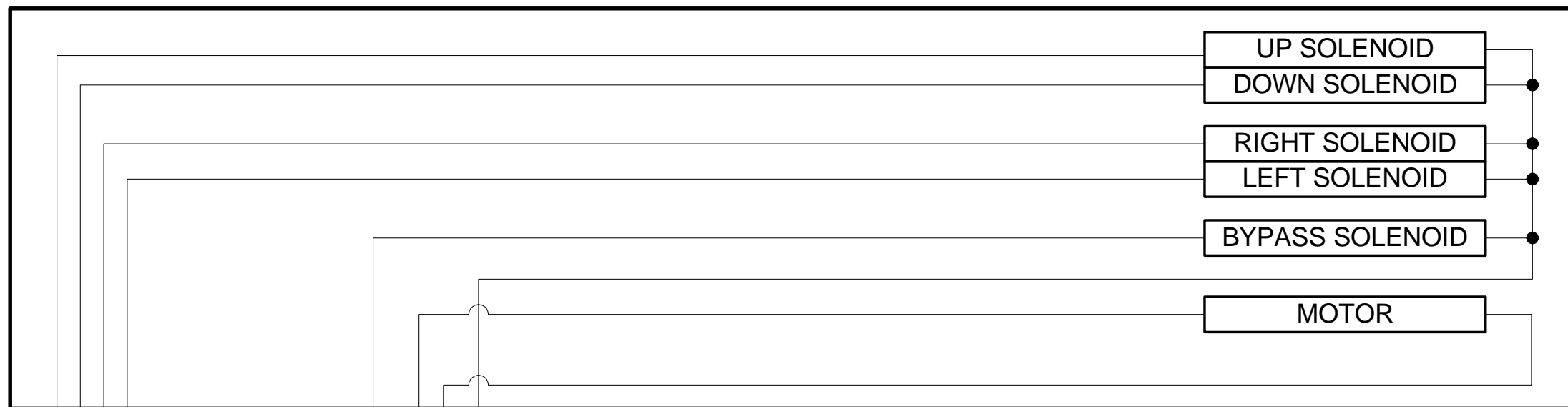
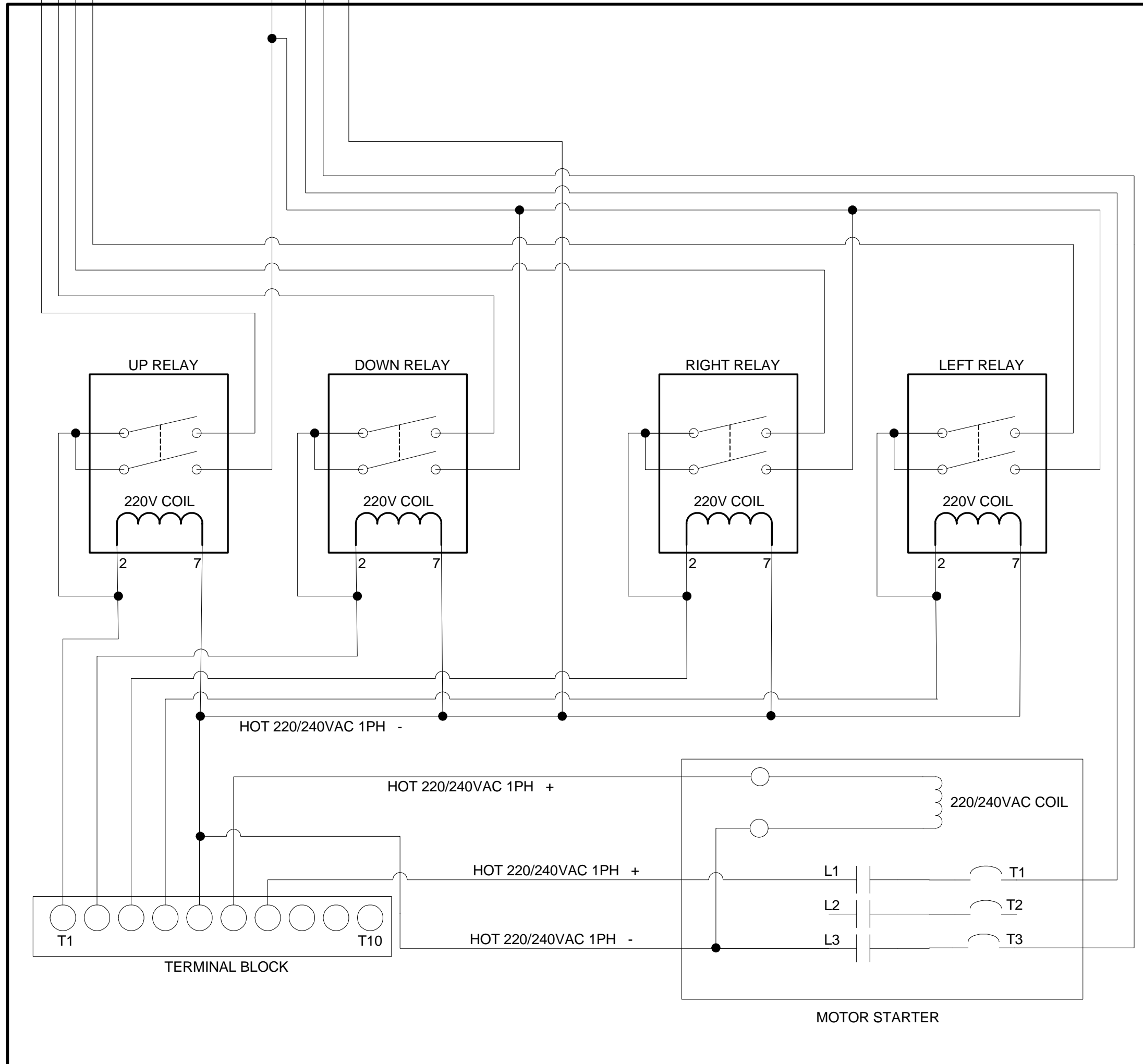


HPU MOTOR & VALVES



CABLE GROUP 1 CABLE GROUP 2 JUNCTION BOX



SCHEMATIC # 105208-421

REVISIONS			
REV.	DESCRIPTION	DATE	BY
A	INITIAL RELEASE	11/06/06	EK

- GENERAL NOTES:
1. SYSTEM VOLTAGE: 220/240VAC 1 PHASE
 2. USE MINIMUM 14 AWG WIRE



STANG INDUSTRIES INC.

1250 RAILROAD ST.
CORONA, CA 92882

ELECTRICAL SCHEMATIC

HPU-VALVES W/RELAYS & BYPASS

DRAWING/ PART NO. 105208-421			
CAGE# 55822	DRAWN EK	CHECK	REVISION A
DATE 11/06/06	DESIGN	SCALE 1:1	SHEET 1 OF 1

The information and design disclosed herein is the property of Stang industries Inc. All proprietary use and sales rights thereto are reserved. This disclosure is confidential and must not be copied in whole or part.

SHEET SIZE
C