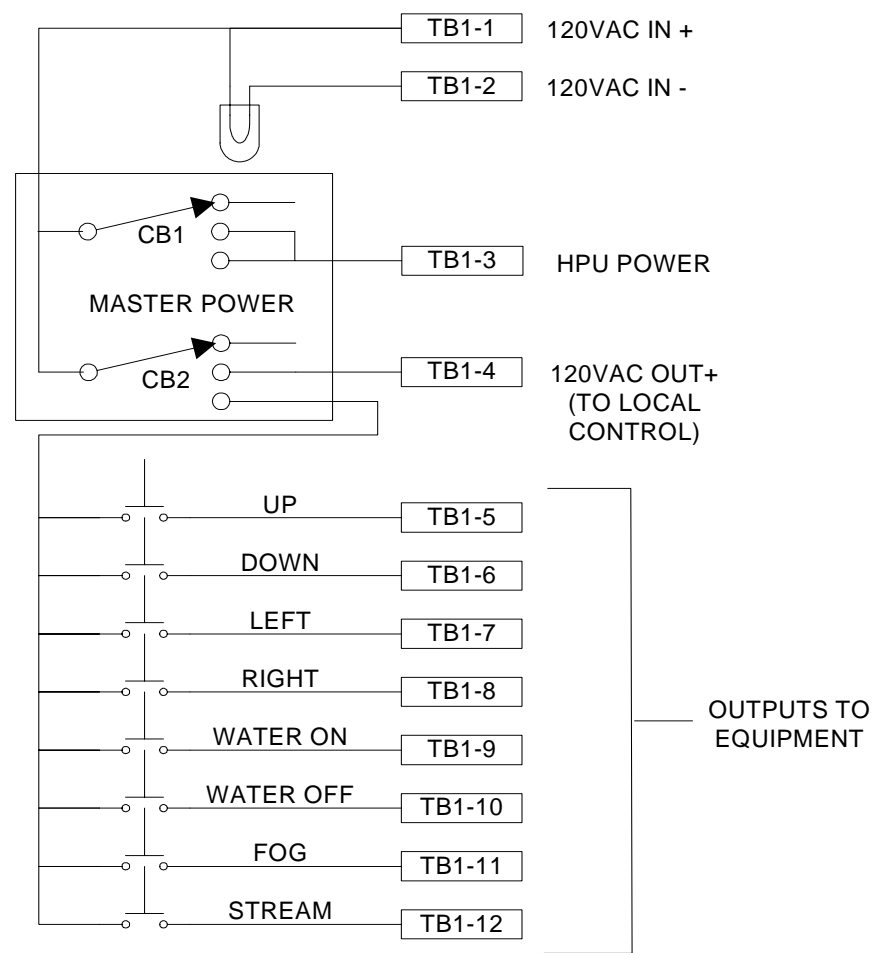
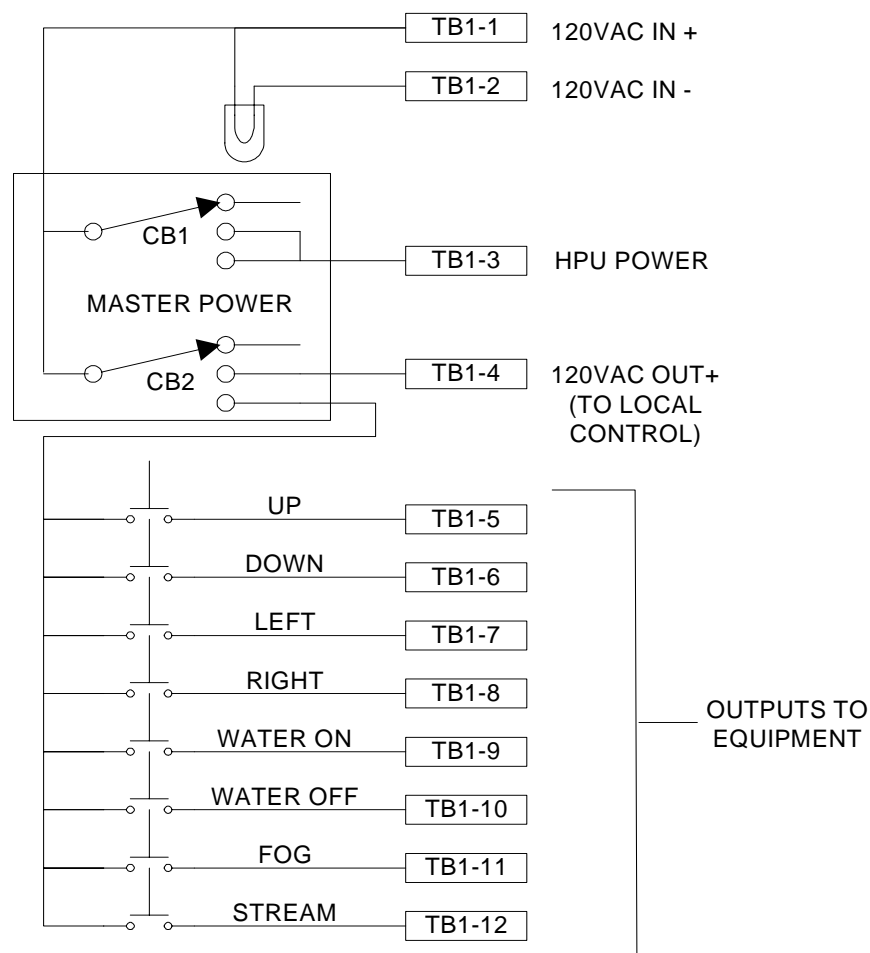


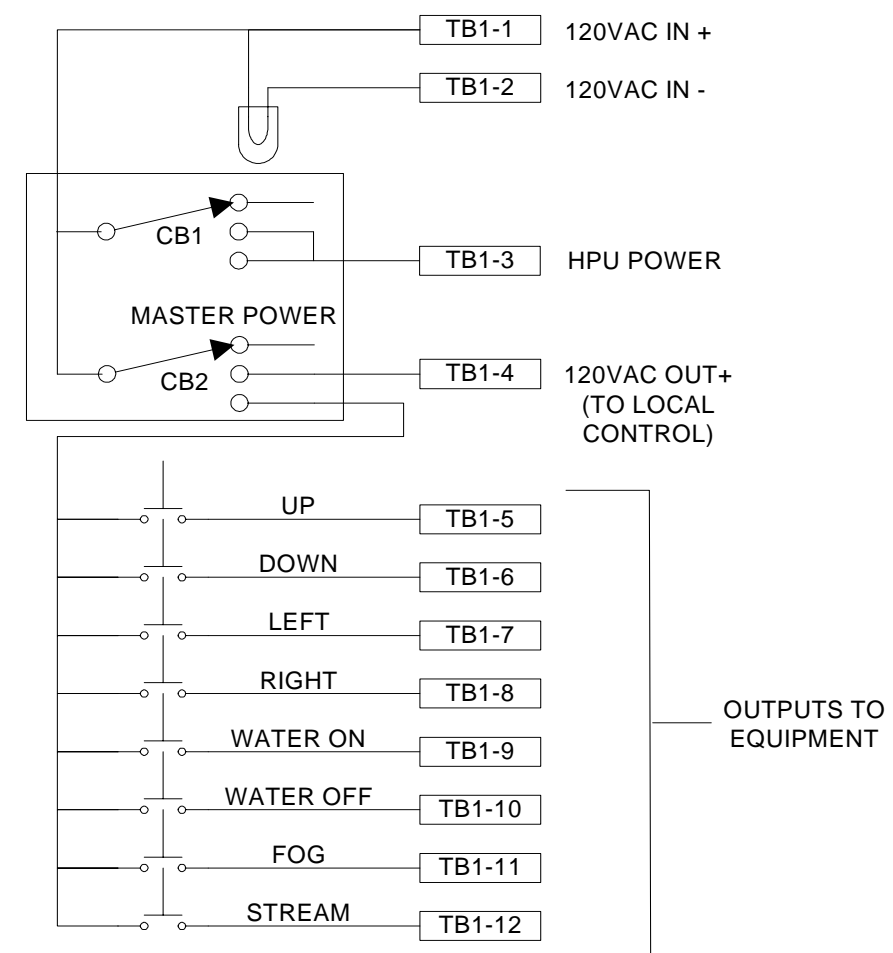
LTR	REVISIONS	DATE	BY
A	INITIAL RELEASE	06/03/05	RBS
B	ADDED HPU POWER OUTPUT	09/20/05	RBS



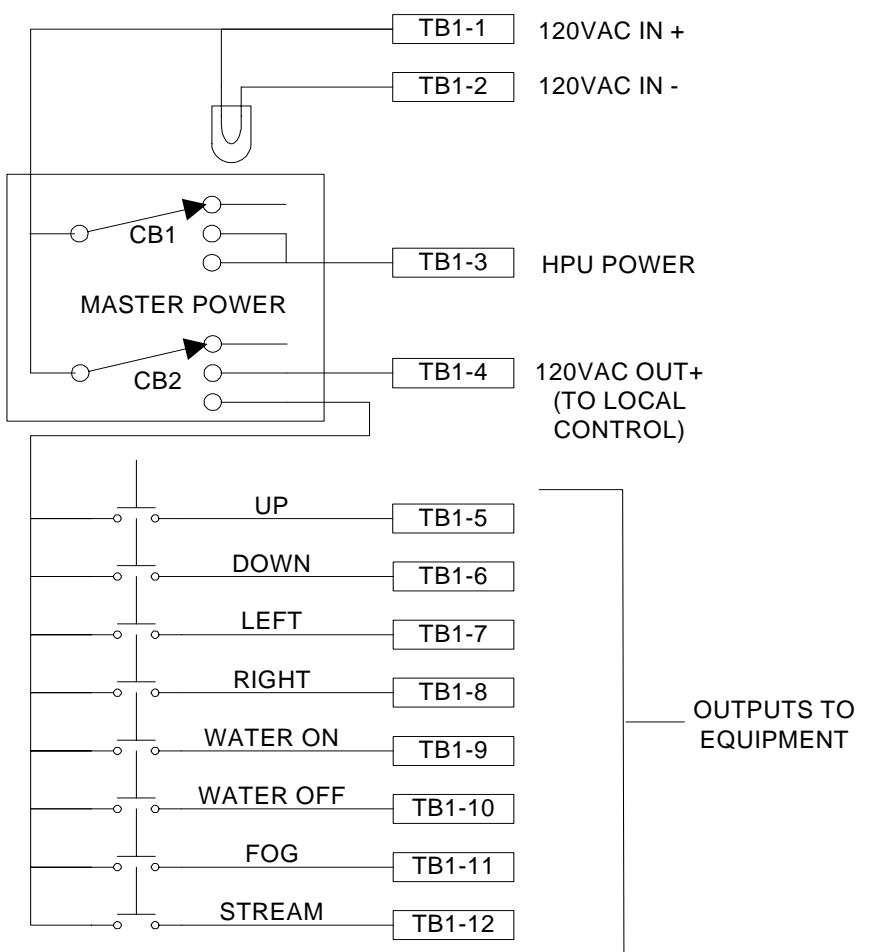
MONITOR #1



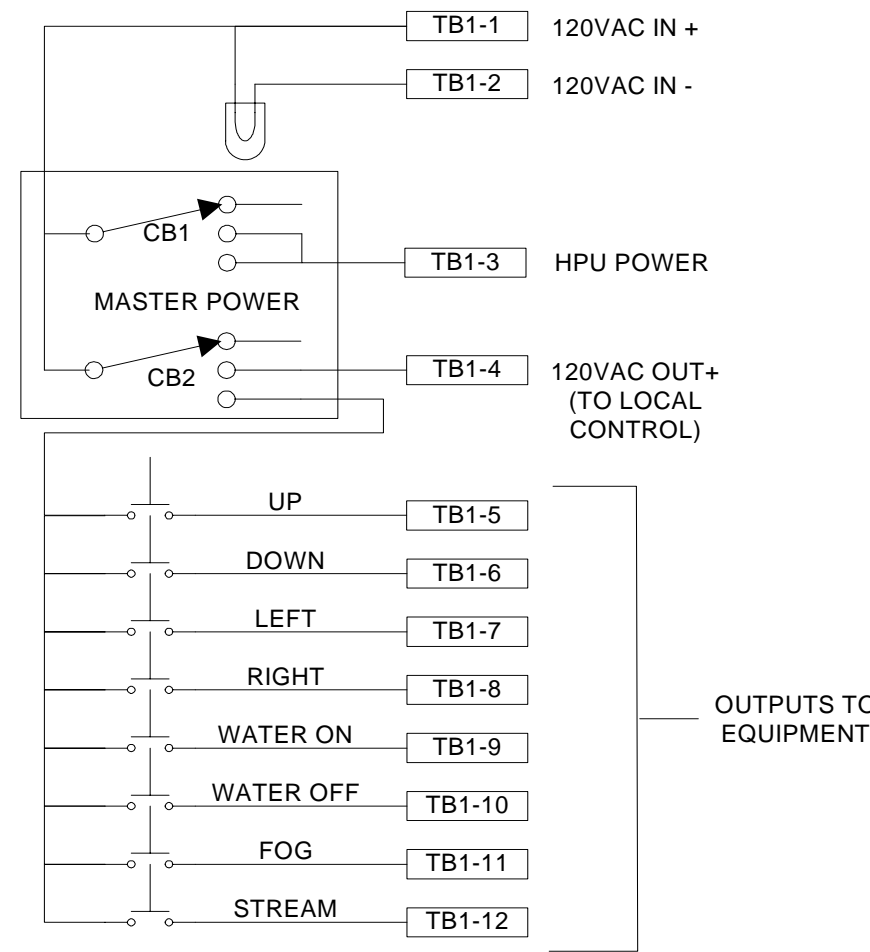
MONITOR #2



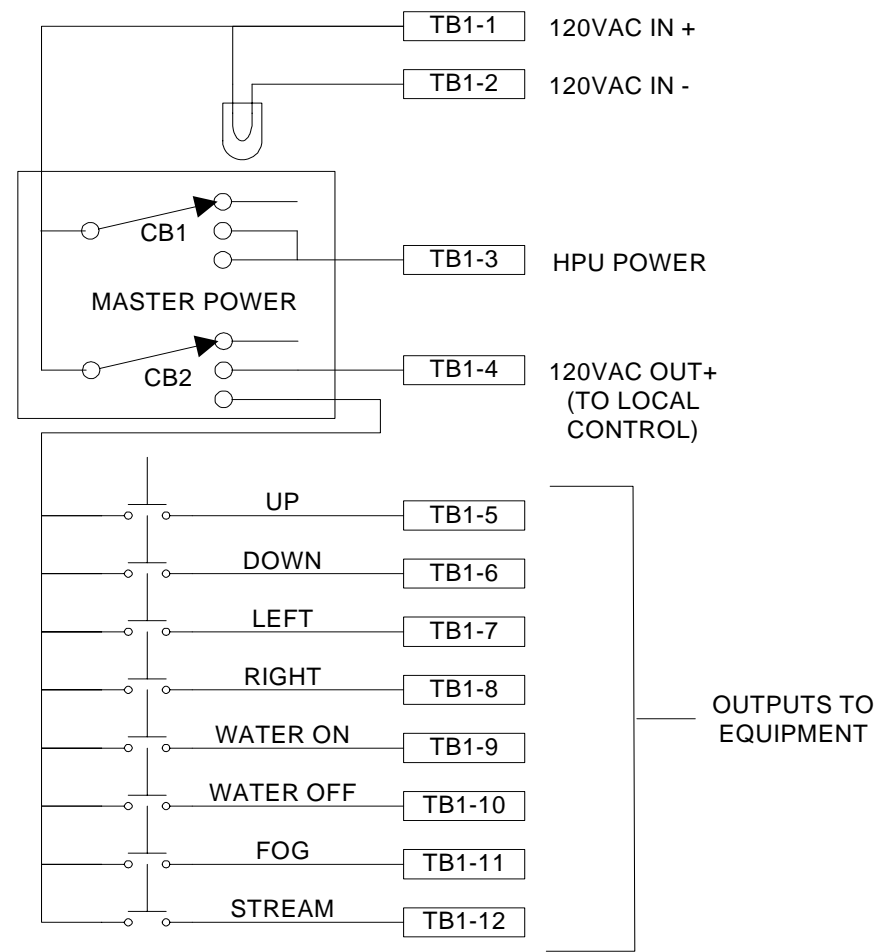
MONITOR #3



MONITOR #4



MONITOR #5



MONITOR #6

NOTES:
1) DO NOT SCALE THIS DRAWING

2) ALL WIRING TO BE 14AWG MINIMUM

The information and design disclosed herein is the property of GST Industries Inc. All proprietary use and sales rights thereto are reserved. This disclosure is confidential and must not be copied in whole or part.

UNLESS OTHERWISE SPECIFIED: DIMENSIONS ARE IN INCHES TOLERANCES DECIMALS ANGULAR .XX ±.03 ±1° .XXX ±.010 DO NOT SCALE DRAWING	
TREATMENT	-----
FINISH	-----
SUPPLIER	-----
SIZE	SUPP. #
C	

	STANG INDUSTRIES, INC.		
	1250 RAILROAD ST. CORONA, CA 92882		
WIRING DIAGRAM 6 STATION CONTROL PANEL			
DRAWING NUMBER	105208-381		
CAGE#	55822	DRAWN	RBS
DATE	06/03/05	DESIGN	
CHECK		REVISION	A
SCALE	1:1	SHEET	1 OF 1