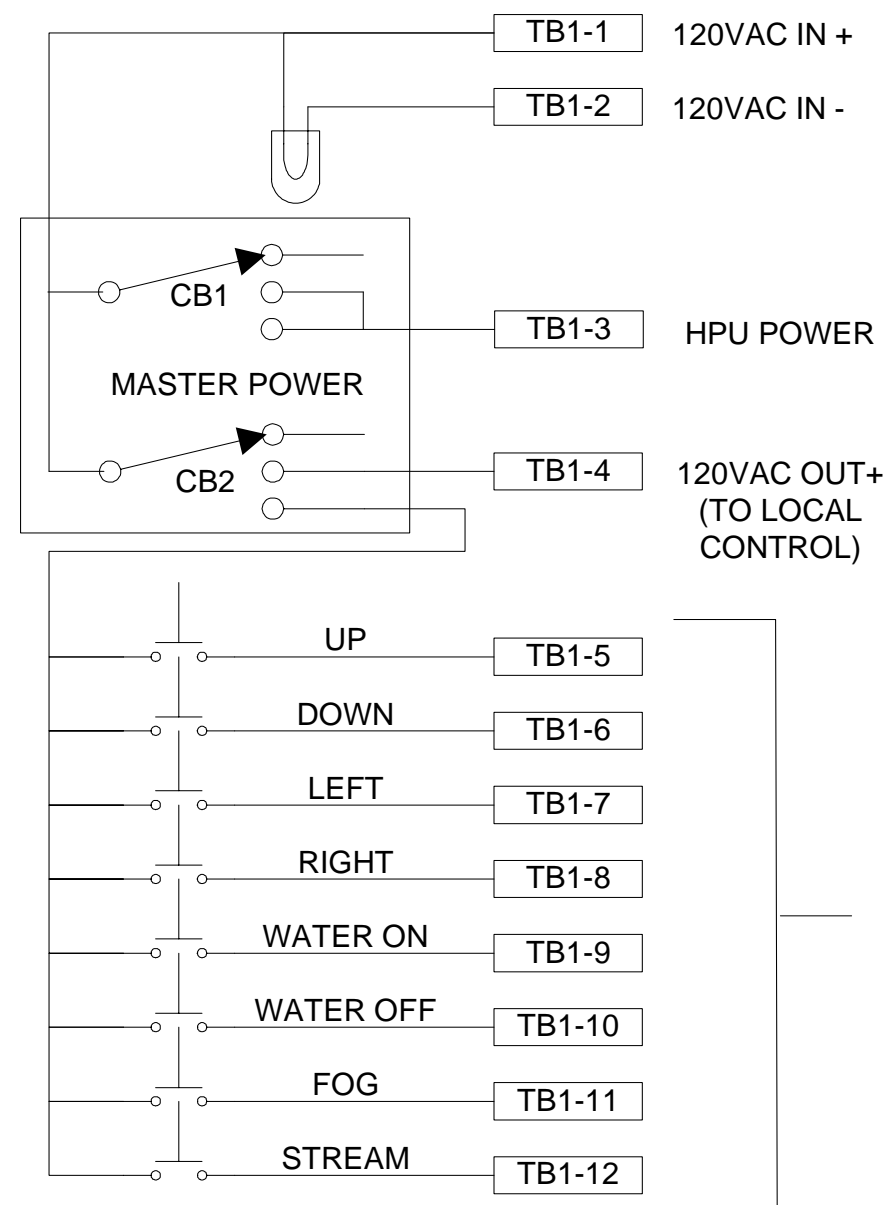
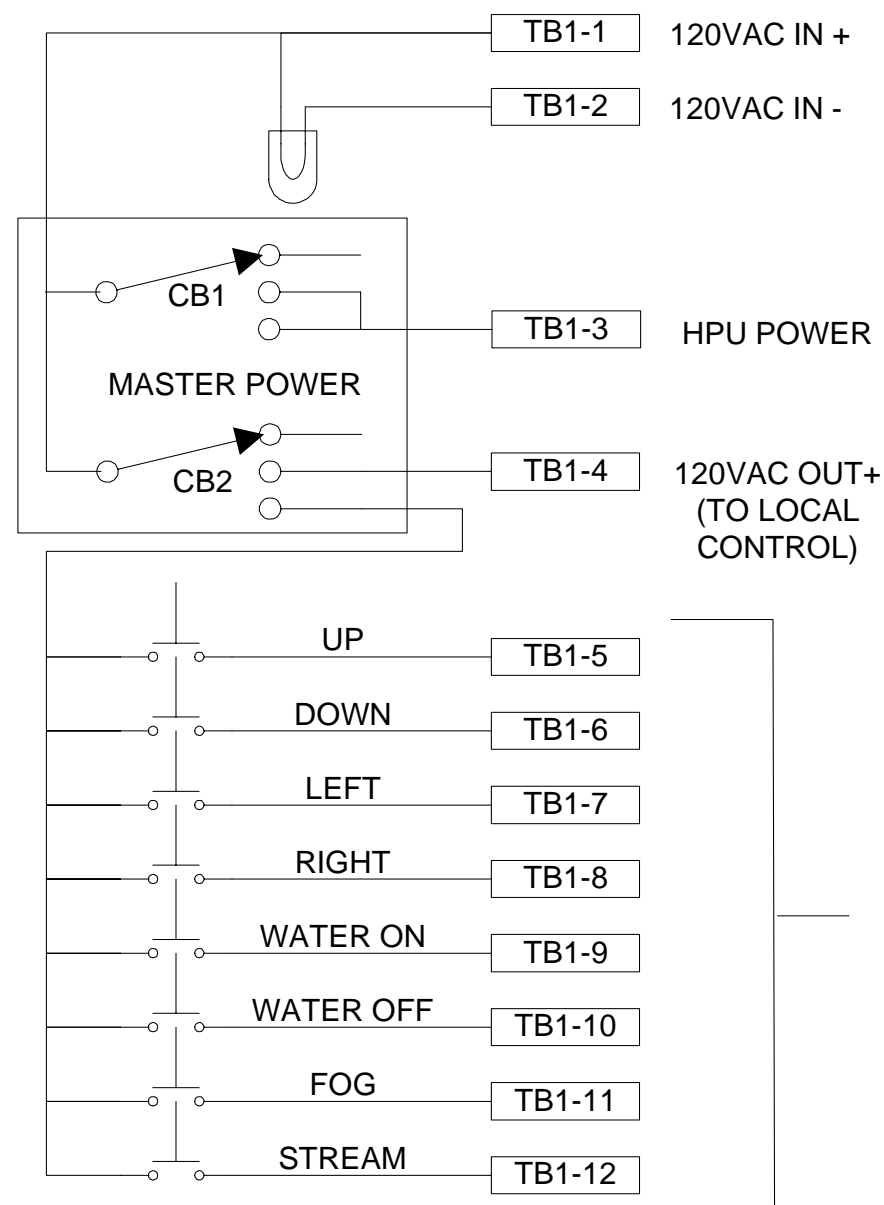


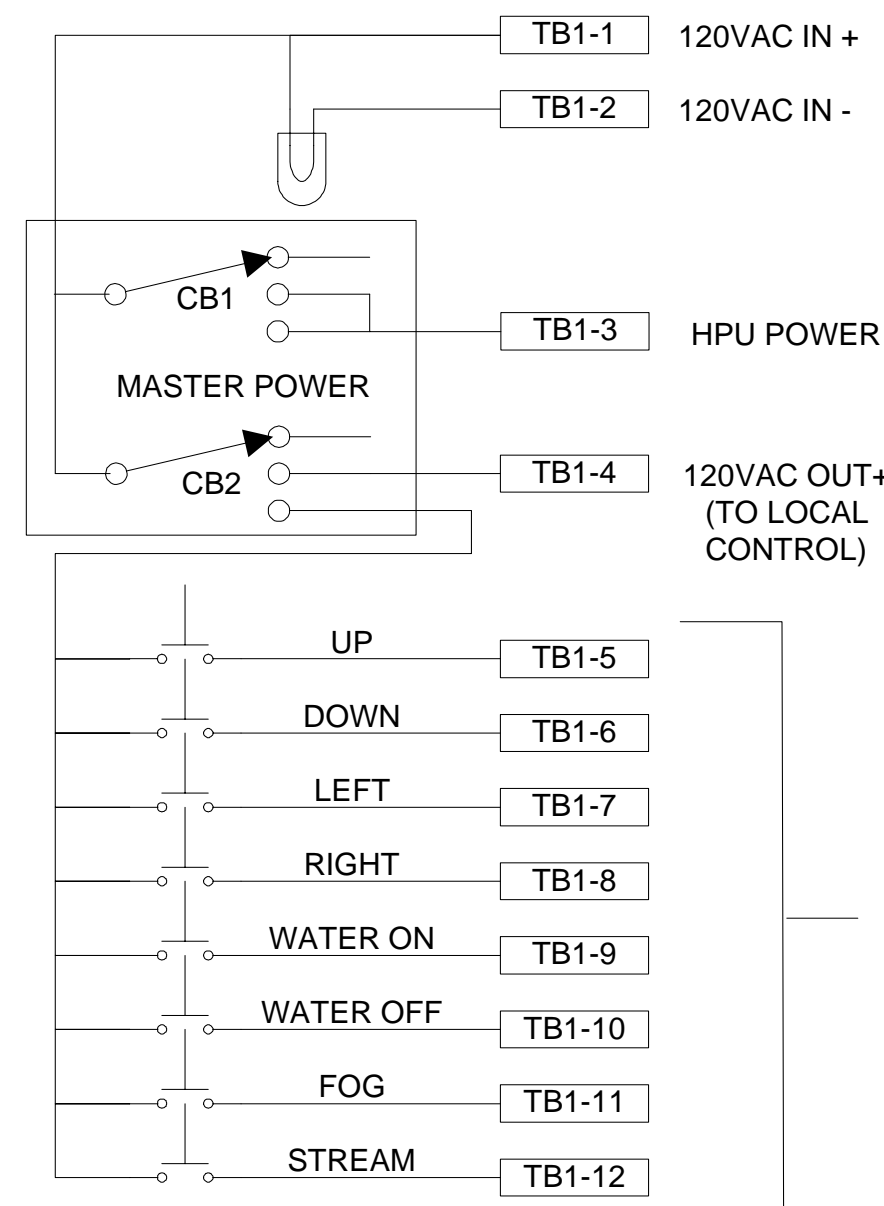
LTR	REVISIONS	DATE	BY
A	INITIAL RELEASE	06/03/05	RBS
B	REMOVED (120VAC -) OUTPUT, MOVED HPU OUTPUT TO TERMINAL TB-3, ADDED SECOND SET OF CONTACTS (CB2) TO POWER SWITCH	09/21/05	RBS



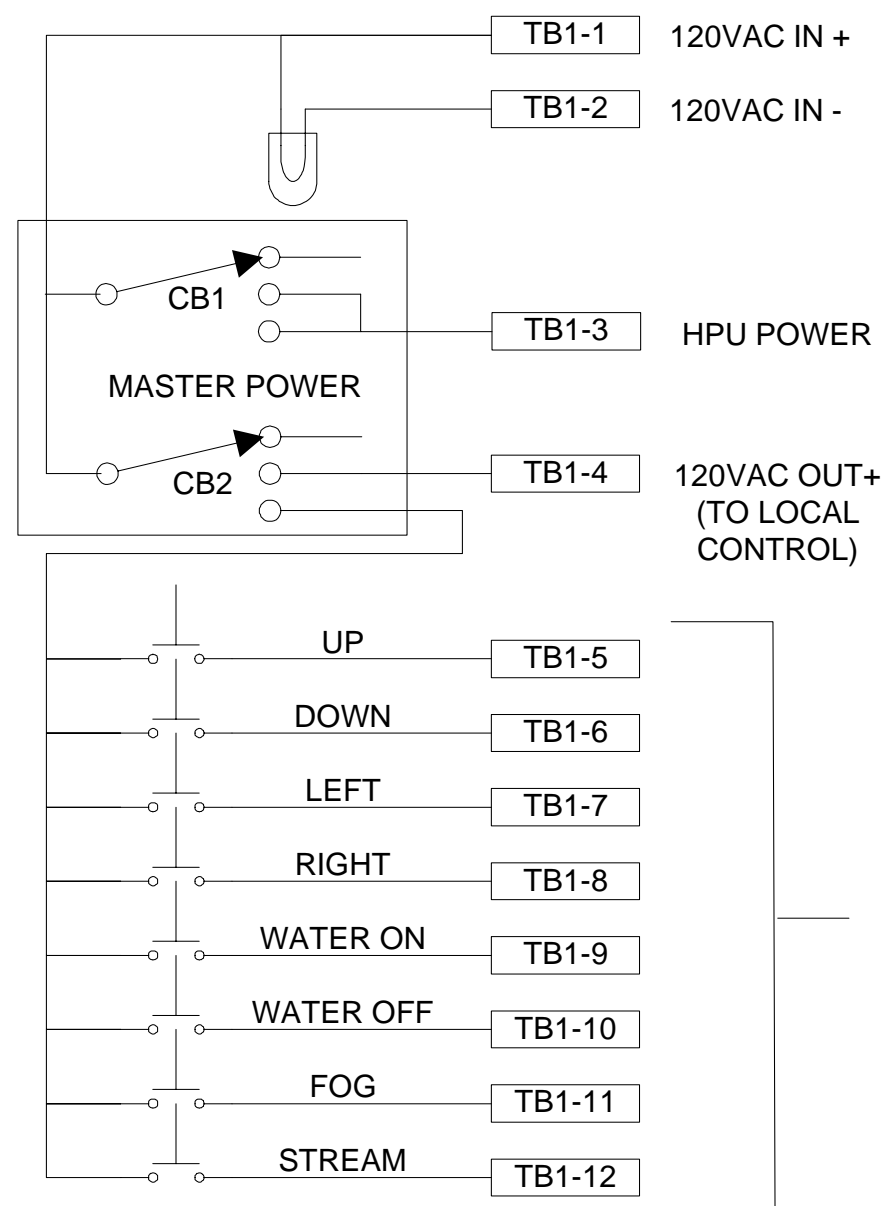
MONITOR #1



MONITOR #2




MONITOR #3



MONITOR #4

NOTES:
 1) DO NOT SCALE THIS DRAWING
 2) ALL WIRING TO BE 14AWG MINIMUM

The information and design disclosed herein is the property of GST Industries Inc. All proprietary use and sales rights thereto are reserved. This disclosure is confidential and must not be copied in whole or part.

UNLESS OTHERWISE SPECIFIED: DIMENSIONS ARE IN INCHES TOLERANCES DECIMALS ANGULAR .XX ±.03 ±1° .XXX ±.010 DO NOT SCALE DRAWING		 STANG INDUSTRIES, INC. 1250 RAILROAD ST. CORONA, CA 92882			
TREATMENT -----				WIRING DIAGRAM 4 STATION CONTROL PANEL	
FINISH -----		DRAWING NUMBER 105208-371			
SUPPLIER -----		CAGE# 55822	DRAWN RBS	CHECK	REVISION B
SIZE	SUPP. #	DATE 06/03/05	DESIGN	SCALE 1:1	SHEET 1 OF 1

C