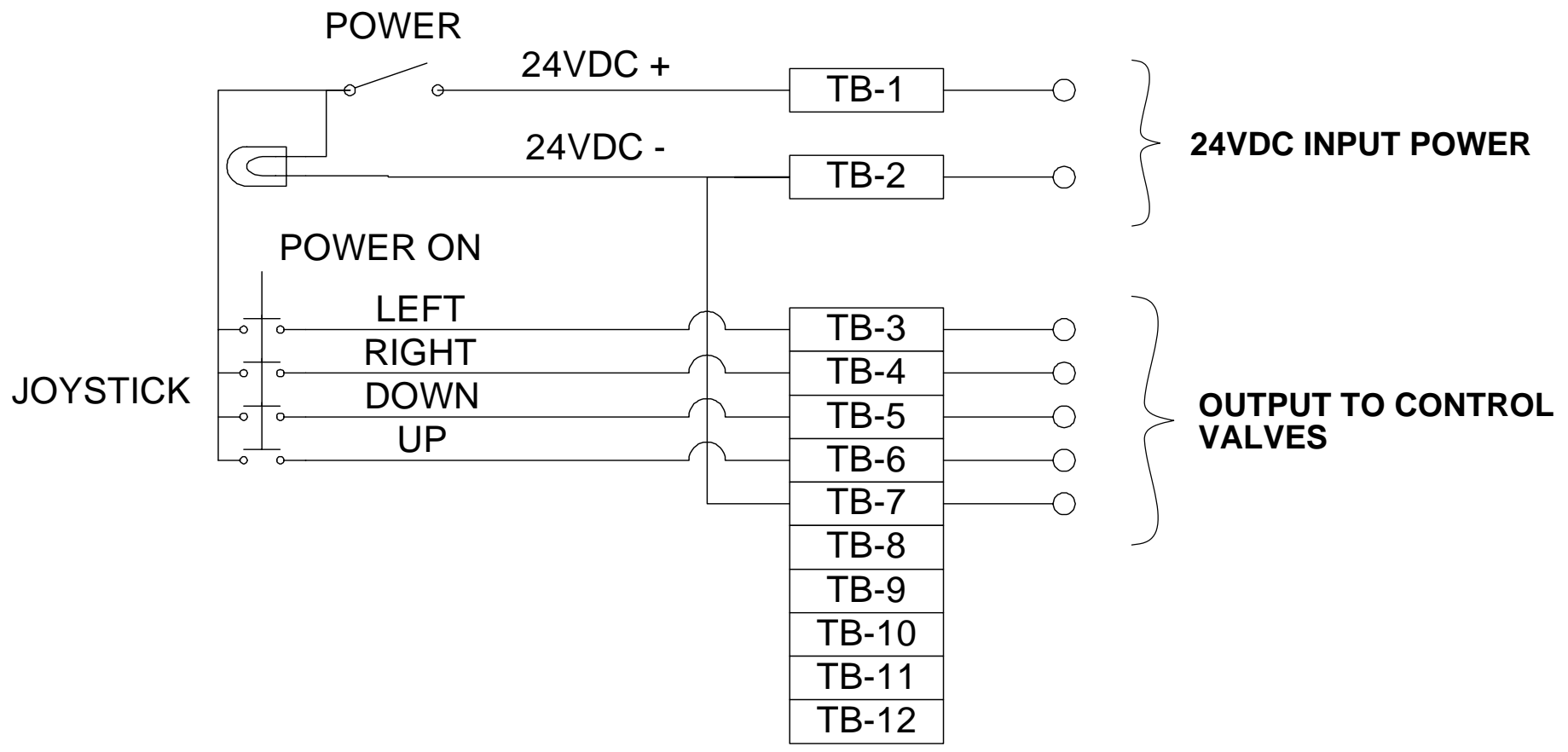


LTR	REVISIONS	DATE	BY
A	INITIAL RELEASE	02/04/05	RBS



NOTES:
 1) DO NOT SCALE THIS DRAWING
 2) ALL WIRING TO BE 14AWG MINIMUM

UNLESS OTHERWISE SPECIFIED: DIMENSIONS ARE IN INCHES TOLERANCES DECIMALS ANGULAR .XX ±.03 ±1° .XXX ±.010		 STANG INDUSTRIAL PRODUCTS A DIVISION OF GST INDUSTRIES 16692 BURKE LN. HUNTINGTON BEACH, CA 92647	
DO NOT SCALE DRAWING			
DRAWING NUMBER 105208-341		B	
TREATMENT -----	CAGE 55822	DRAWN RBS	CHECK -----
FINISH -----	DATE 02/04/05	DESIGN -----	REVISION A
NOTE -----	SCALE 1:1		SHEET 1 OF 1

The information and design disclosed herein is the property of GST Industries Inc. All proprietary use and sales rights therein are reserved. This disclosure is confidential and must not be copied in whole or part.