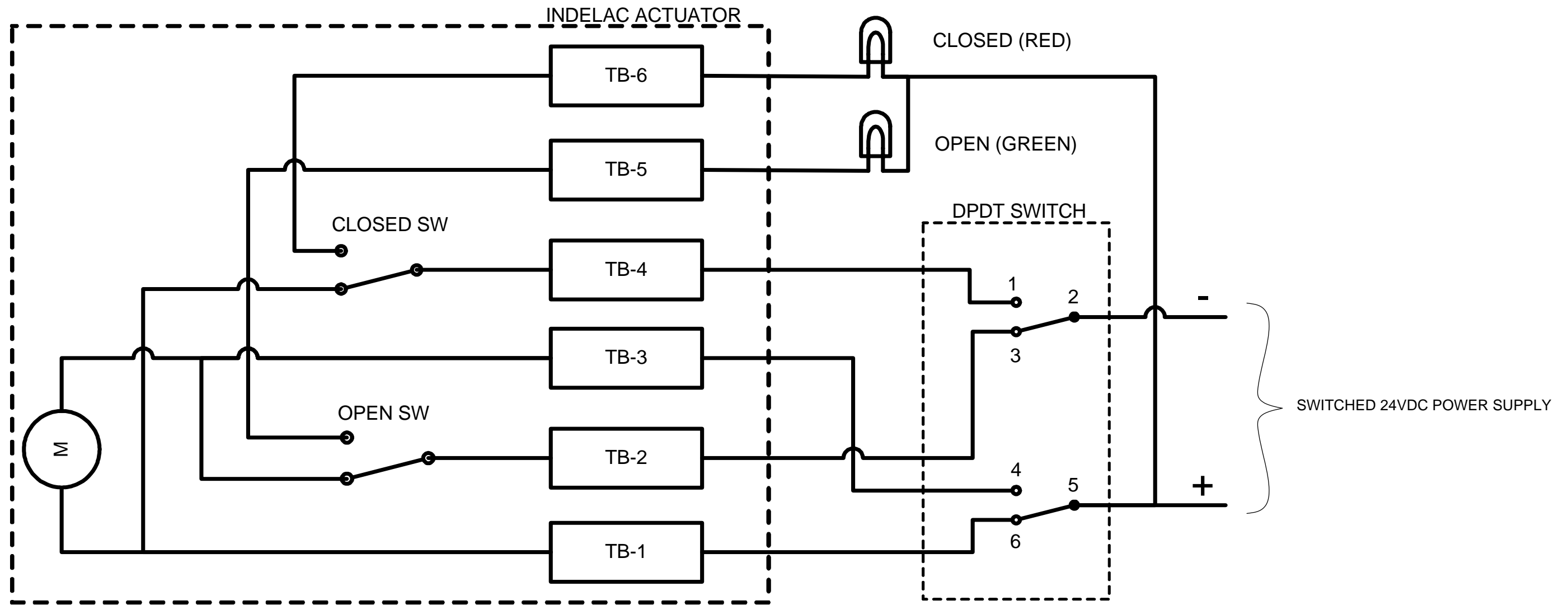
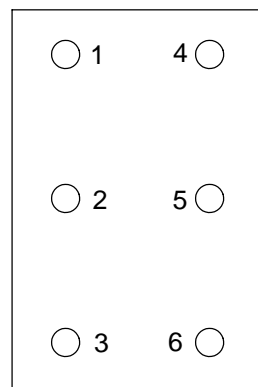


LTR	REVISIONS	DATE	BY
A	INITIAL RELEASE	09/01/04	RBS



DPDT SWITCH TERMINAL DESIGNATIONS



- NOTES:
 1) DO NOT SCALE THIS DRAWING
 2) BREAK ALL SHARP EDGES
 3) ALL WIRING TO BE 18AWG MIN.

The information and design disclosed herein is the property of GST Industries Inc. All proprietary use and sales rights thereto are reserved. This disclosure is confidential and must not be copied in whole or part.

UNLESS OTHERWISE SPECIFIED: DIMENSIONS ARE IN INCHES TOLERANCES DECIMALS ANGULAR .XX ±.03 ±1° .XXX ±.010 DO NOT SCALE DRAWING		 STANG INDUSTRIAL PRODUCTS A DIVISION OF GST INDUSTRIES 16692 BURKE LN. HUNTINGTON BEACH, CA 92647	
DRAWING NUMBER 105208-311		B	
TREATMENT	CAGE 55822	DRAWN RBS	CHECK
FINISH	DATE 09/01/04	DESIGN	REVISION A
NOTE	SCALE 1:1	SHEET 1 OF 1	