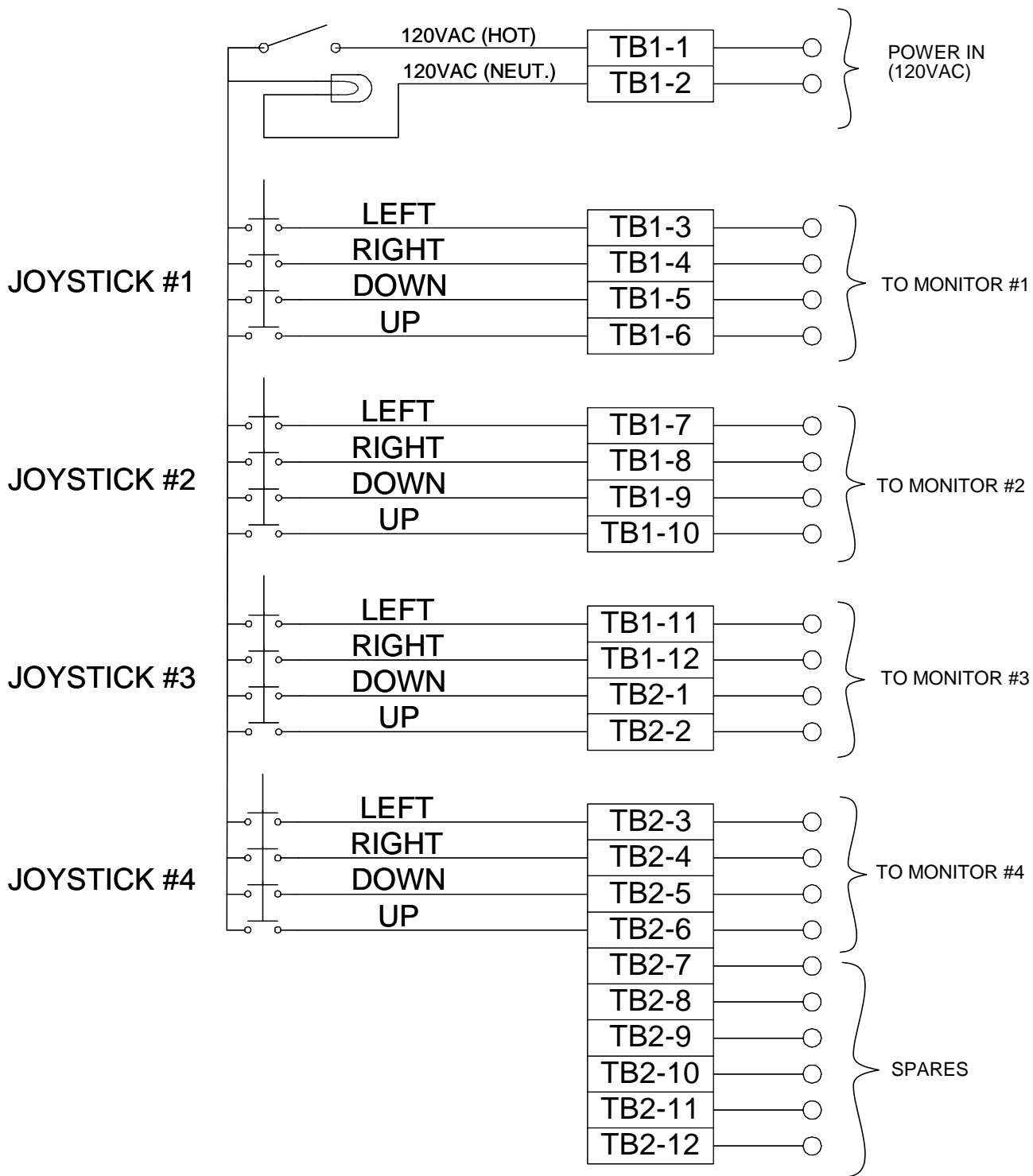


LTR	DESCRIPTION	BY	DATE
A	INITIAL RELEASE	RBS	05/24/04



DO NOT SCALE DRAWING
 UNLESS OTHERWISE SPECIFIED: DIMENSIONS ARE IN INCHES
 TOLERANCES
 DECIMALS ANGULAR
 .XX ±.03 ±2°
 .XXX ±.010



STANG INDUSTRIAL PRODUCTS
 DIV. OF GST INDUSTRIES
 16692 BURKE LN.
 HUNTINGTON BEACH, CA 92647

PROPRIETARY AND CONFIDENTIAL

The information and design disclosed herein is the property of GST Industries Inc. All proprietary use and sales rights thereto are reserved. This disclosure is confidential and must not be copied in whole or part.

MATERIAL

FINISH

DRAWN

WIRING DIAGRAM, 4 STAT. CONTROL PANEL

DESIGN	DRAWING NUMBER	SIZE
DATE	SCALE:1:8	REV.
05/24/04	105208-271	A
	SHEET 1 OF 1	A