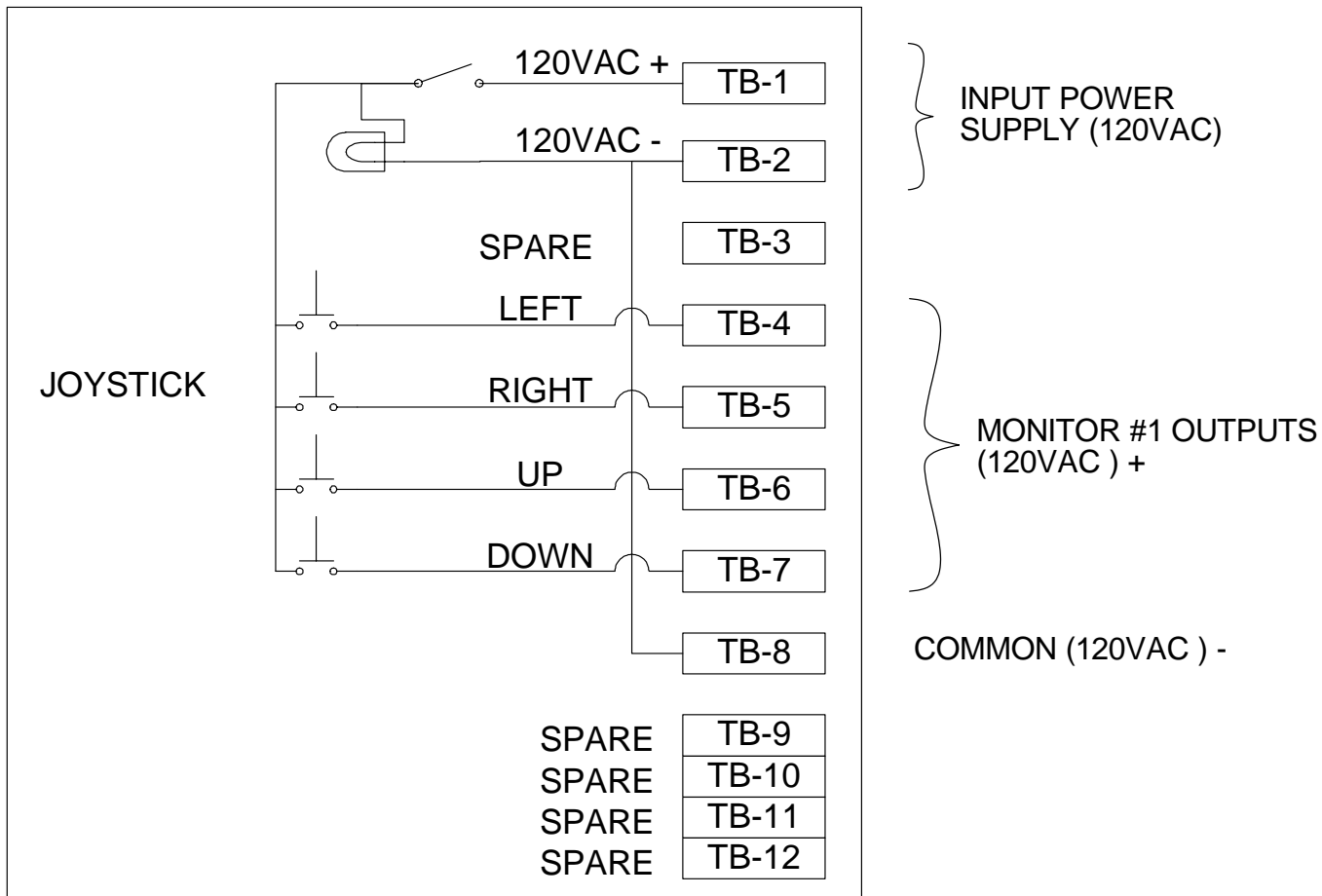


NOTES:

- 1) DO NOT SCALE THIS DRAWING
- 2) BREAK ALL SHARP EDGES
- 3) ALL DIMENSIONS DISPLAYED IN PARENTHESES ARE FOR REFERENCE ONLY

4) ALL WIRING TO BE 14AWG MINIMUM

MASTER POWER



DO NOT SCALE DRAWING  
UNLESS OTHERWISE SPECIFIED: DIMENSIONS ARE IN INCHES  
TOLERANCES  
DECIMALS ANGULAR  
.XX ±.03 ±2°  
.XXX ±.010



**STANG INDUSTRIAL PRODUCTS**  
DIV. OF GST INDUSTRIES  
16692 BURKE LN.  
HUNTINGTON BEACH, CA 92647

MATERIAL N/A  
FINISH N/A  
DRAWN N/A

**SCHEMATIC, CONTROL PANEL**

DESIGN	PART NUMBER <b>105208-251</b>	SIZE
DATE <b>07/10/03</b>	SCALE: NONE SHEET 1 OF 1 REV.	<b>A</b>

PROPRIETARY AND CONFIDENTIAL

The information and design disclosed herein is the property of GST Industries Inc. All proprietary use and sales rights thereto are reserved. This disclosure is confidential and must not be copied in whole or part.