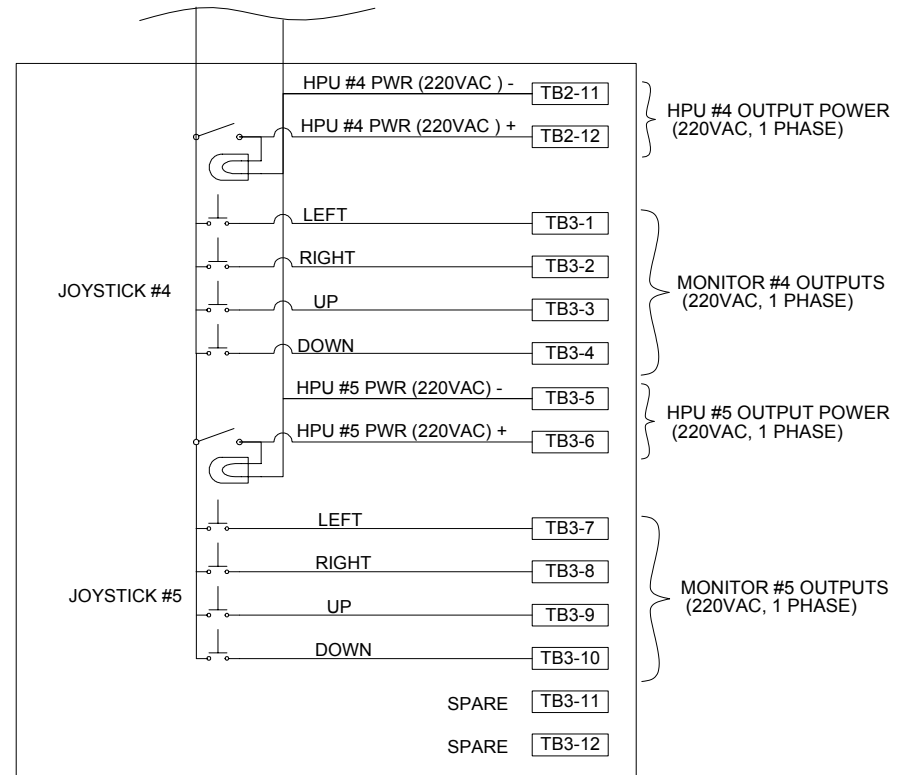


(CONTINUED)



- NOTES:
 1) DO NOT SCALE THIS DRAWING
 2) ALL DIMENSIONS DISPLAYED IN PARENTHESES ARE FOR REFERENCE ONLY
 3) INPUT SUPPLY WIRES TO BE 12AWG MINIMUM
 4) ALL REMAINING WIRING TO BE 14AWG MINIMUM

LTR	REVISIONS	DATE	BY

The information and design disclosed herein is the property of GST Industries Inc. All proprietary use and sales rights thereto are reserved. This disclosure is confidential and must not be copied in whole or part.

UNLESS OTHERWISE SPECIFIED: DIMENSIONS ARE IN INCHES
 TOLERANCES
 DECIMALS ANGULAR
 .XX ±.03 ±1°
 .XXX ±.010
 DO NOT SCALE DRAWING



STANG INDUSTRIAL PRODUCTS
 DIV. OF GST INDUSTRIES
 16692 BURKE LN.
 HUNTINGTON BEACH, CA 92647

SCHEMATIC, CONTROL PANEL

TREATMENT	N/A			
FINISH	N/A			
SUPPLIER	N/A			
NEW PART NUMBER	105208-231			
SIZE	SUPP. #	CAGE#	DRAWN	CHECK
		55822	RBS	
		DATE	DESIGN	REVISION
		07/14/03		
		SCALE	1:1	SHEET
				1 OF 1