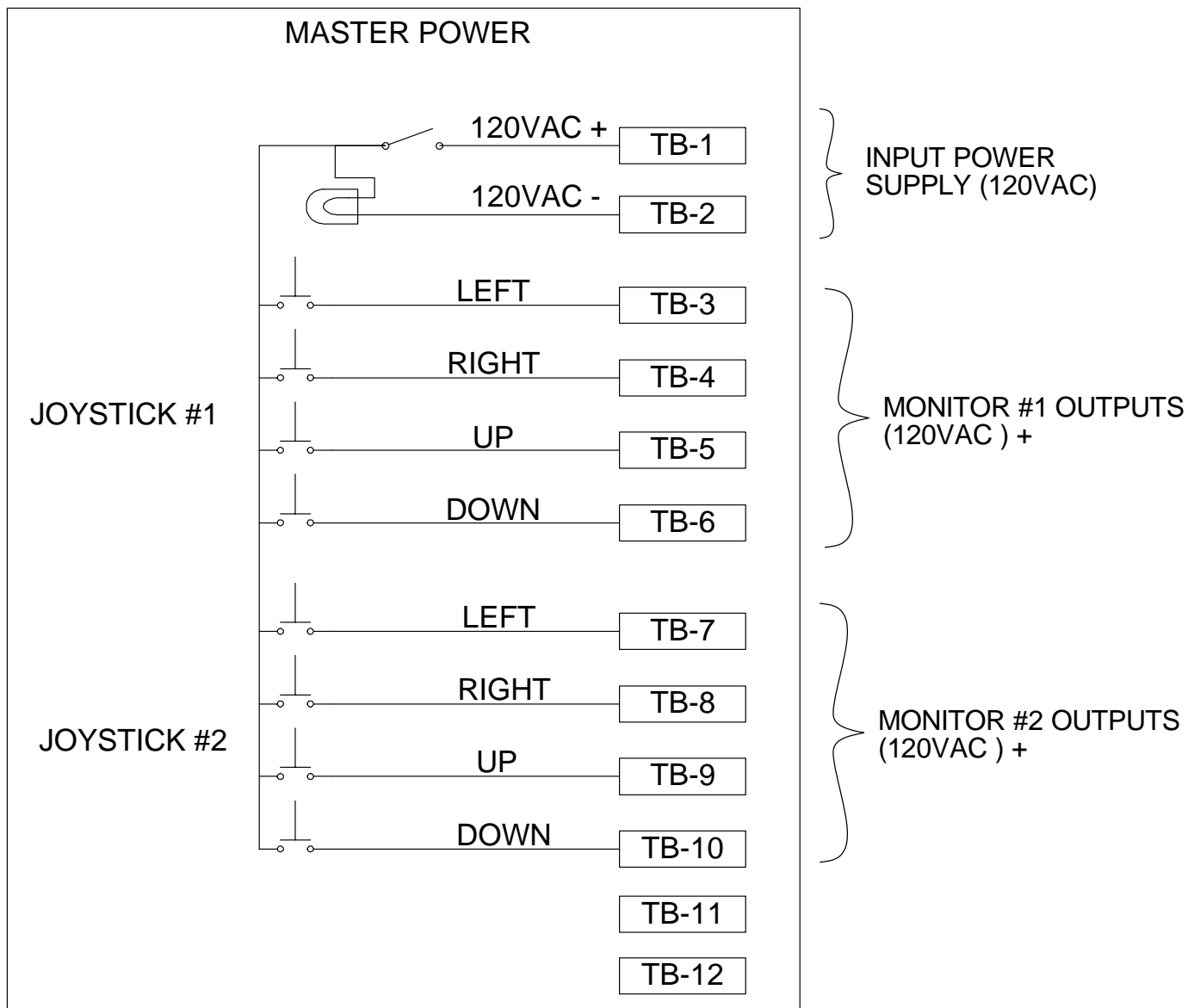


NOTES:

- 1) DO NOT SCALE THIS DRAWING
- 2) BREAK ALL SHARP EDGES
- 3) ALL DIMENSIONS DISPLAYED IN PARENTHESES ARE FOR REFERENCE ONLY

4) ALL WIRING TO BE 14AWG MINIMUM



DO NOT SCALE DRAWING
 UNLESS OTHERWISE SPECIFIED: DIMENSIONS ARE IN INCHES
 TOLERANCES
 DECIMALS ANGULAR
 .XX ±.03 ±2°
 .XXX±.010



STANG INDUSTRIAL PRODUCTS
 DIV. OF GST INDUSTRIES
 16692 BURKE LN.
 HUNTINGTON BEACH, CA 92647

PROPRIETARY AND CONFIDENTIAL

The information and design disclosed herein is the property of GST Industries Inc. All proprietary use and sales rights thereto are reserved. This disclosure is confidential and must not be copied in whole or part.

MATERIAL N/A

FINISH N/A

DRAWN N/A

SCHEMATIC, CONTROL PANEL

DESIGN

DATE 07/10/03

PART NUMBER 105208-221

SCALE: NONE SHEET 1 OF 1 REV.

SIZE

A