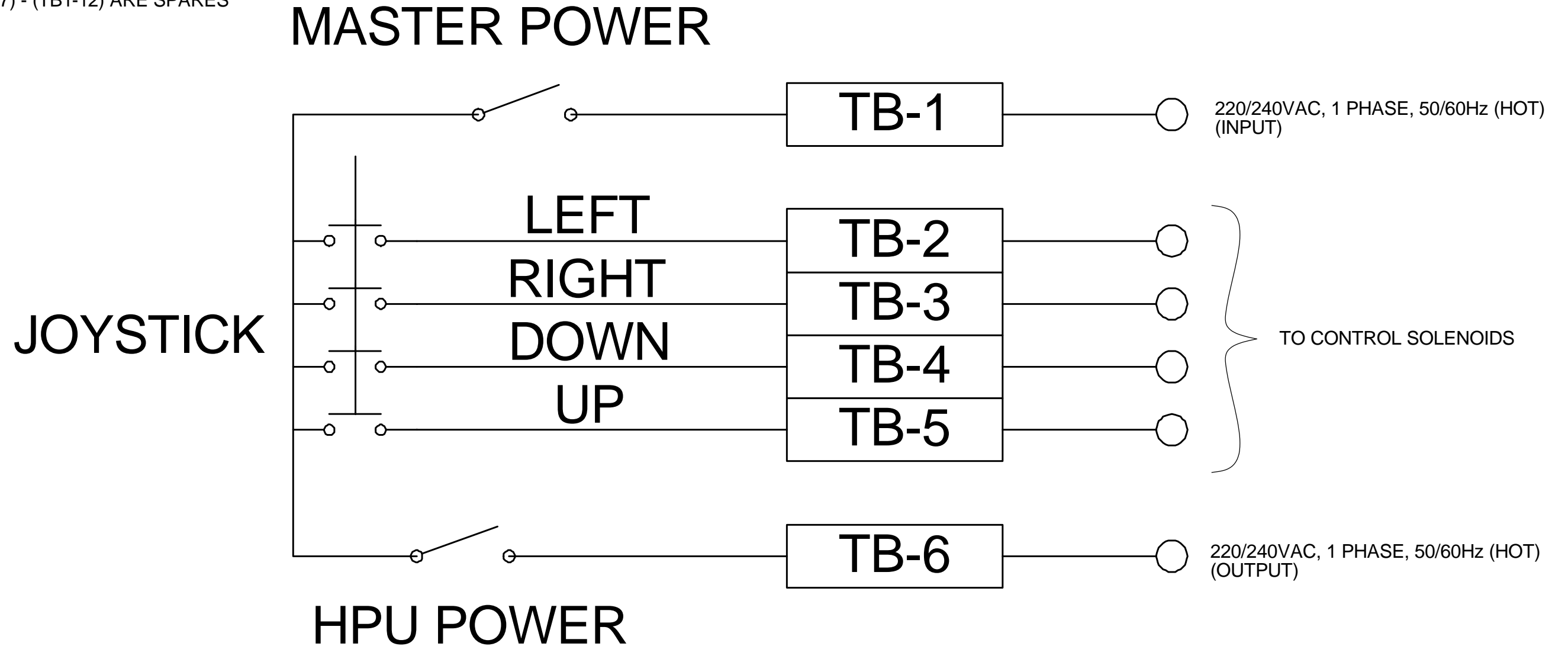


- NOTES:
 1) DO NOT SCALE THIS DRAWING
 2) BREAK ALL SHARP EDGES
 3) ALL DIMENSIONS DISPLAYED IN PARENTHESES ARE FOR REFERENCE ONLY

4 ALL WIRING TO AND FROM PANEL IS BY OTHERS

5 TERMINALS (TB1-7) - (TB1-12) ARE SPARES



UNLESS OTHERWISE SPECIFIED: DIMENSIONS ARE IN INCHES
 TOLERANCES
 DECIMALS ANGULAR
 .XX ±.03 ±2°
 .XXX ±.010
DO NOT SCALE DRAWING



STANG INDUSTRIAL PRODUCTS
 A DIVISION OF GST INDUSTRIES
 16692 BURKE LN.
 HUNTINGTON BEACH, CA 92647

SCHEMATIC, CONTROL PANEL

TREATMENT	PART# 105208-151		REF PART #	B
FINISH	CAGE 55822	DRAWN RBS	CHECK	REVISION
NOTE	DATE 1/29/03	DESIGN	SCALE 1:1	SHEET 1 OF 1

The information and design disclosed herein is the property of GST Industries Inc. All proprietary use and sales rights thereto are reserved. This disclosure is confidential and must not be copied in whole or part.

LTR	REVISIONS	DATE	BY