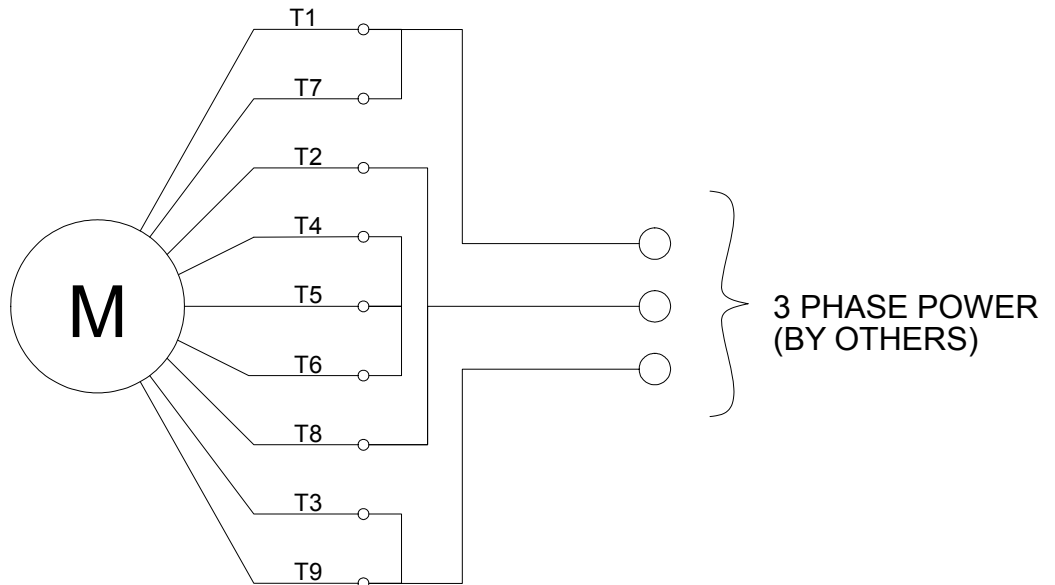
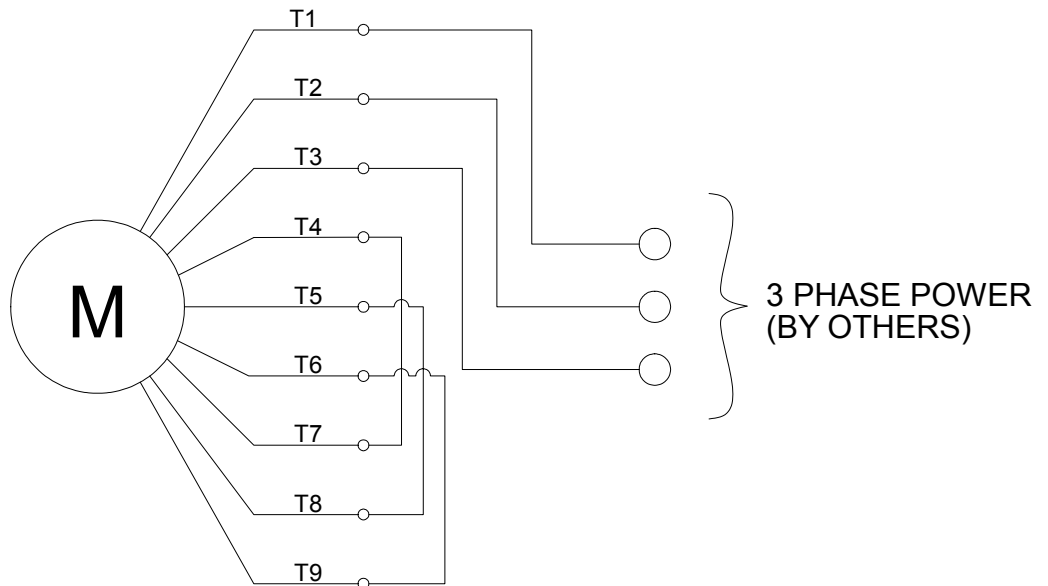


STANDARD 230/460VAC,
3 PHASE, 60Hz MOTOR



LOW VOLTAGE WIRING
208/230VAC

STANDARD 230/460VAC,
3 PHASE, 60Hz MOTOR



HIGH VOLTAGE WIRING
460VAC

DO NOT SCALE DRAWING
UNLESS OTHERWISE
SPECIFIED: DIMENSIONS
ARE IN INCHES
TOLERANCES
DECIMALS ANGULAR
.XX ±.03 ±2°
.XXX±.010



STANG INDUSTRIAL PRODUCTS
DIV. OF GST INDUSTRIES
16692 BURKE LN.
HUNTINGTON BEACH, CA 92647

PROPRIETARY AND CONFIDENTIAL

The information and design disclosed herein is the property of GST Industries Inc. All proprietary use and sales rights thereto are reserved. This disclosure is confidential and must not be copied in whole or part.

MATERIAL

FINISH

DRAWN

DIAGRAM, WIRING, TYPICAL 3 PHASE MOTOR

DESIGN

DATE

PART NUMBER

105208-121

SCALE:1:8

SHEET 1 OF 1

REV.

SIZE

A