

**1.50" Station Monitor  
W/ AB Swivels & Steel Waterway  
Part # 915050**

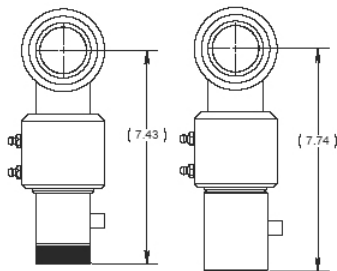
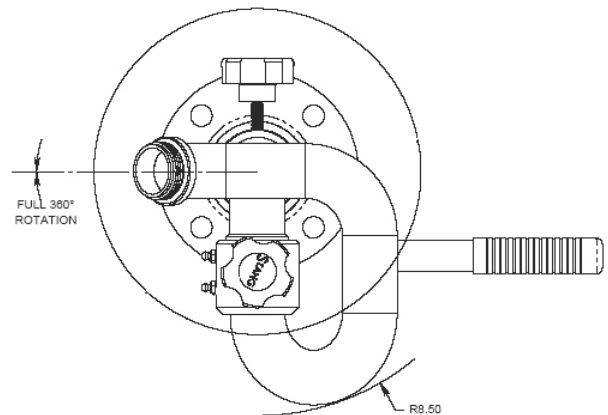
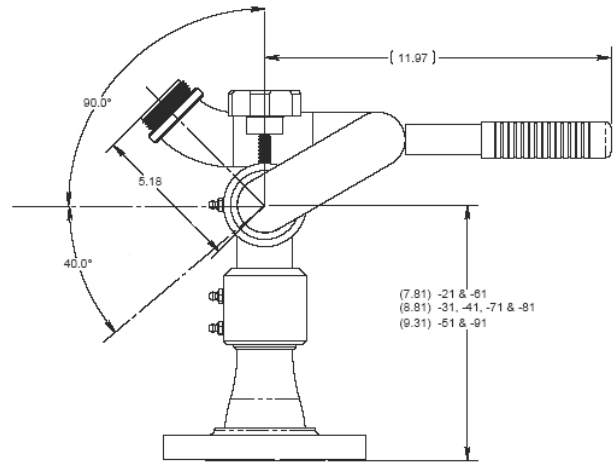


The Stang 915050 series Monitor is a direct replacement for the 104343 or AA4343 series 1.50" station monitors. These units are built in the same fashion as larger monitors featuring a low loss single waterway. Double row SS ball bearing swivel design with high quality seals provides years of service as well as ease of maintenance. Tiller bar handle with horizontal & vertical lock knobs allow for easy control of unit.

**Features**

- Aluminum Bronze Swivels
- Flow Rate: 50-300 USGPM
- Operating Pressure Range: 50-150 PSIG
- 1.50" Male NH Outlet
- Single Waterway Steel Waterway
- Full 360° Horizontal Rotation & +90°/-40° Vertical Travel
- Lock Knob Travel Lock
- SS Bearings with High Quality Seal
- Standard Finish:
  - Stang Red Powder Coat
  - Add "EP" suffix for Epoxy Coat

Dash #	Inlet Size
-1	1.50" Male NPT
-11	1.50" Female NPT
-21	1.50" Raised Face 150# ANSI Flange
-31	2.50" Raised Face 150# ANSI Flange
-41	3.00" Raised Face 150# ANSI Flange
-51	4.00" Raised Face 150# ANSI Flange
-61	1.50" Flat Face 150# ANSI Flange
-71	2.50" Flat Face 150# ANSI Flange
-81	3.00" Flat Face 150# ANSI Flange
-91	4.00" Flat Face 150# ANSI Flange



Please contact sales for more information.

DOC#: PB915050  
REV: A 05/18/07

Stang Industries  
951-479-9810  
www.stangindustries.com