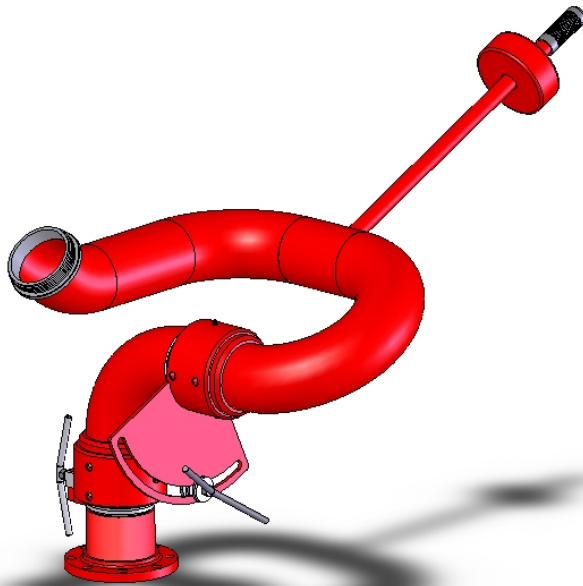


Installation, Operation & Maintenance Manual



Stang 6.00" Manual Station Monitor Model # 960200

1250 Railroad St.
Corona, Ca 92882 USA
www.stangindustrial.com

02/2007

1. Introduction

The Stang 6.00" Station Monitor is a manually controlled water monitor that has a vertical & horizontal rotation. The welded single waterway design allows for an efficient & performance enhanced flow as well as a heavy duty construction. Horizontal & vertical rotation is controlled via a tiller bar handle and the locking of travel is controlled via lock knobs & bladlock on the swivels.

This monitor is available with various intake options. Please refer to the list below for dash numbers.

2. General Features

- Schedule 40 Steel Waterway
- Aluminum Nickel Bronze Rotation Swivels
- Flow: 3000-6000GPM/ 680-1363 M³/H
- Operating Pressure: 50-150PSI/ 3.5-10.3BAR
- ANSI Flange Inlet
- 6.00NH Threaded outlet
- Molded Handgrip for Rotation Operation
- Lock Knob & Bladlock Travel Locks
- Optional Counterweight

3. Dash Number Reference

Dash #	Inlet Type
-1	6.00" Raised Face 150# ANSI Flange
-11	8.00" Raised Face 150# ANSI Flange
-21	6.00" Flat Face 150# ANSI Flange
-31	8.00" Flat Face 150# ANSI Flange

4. Installation

****Warning****

Installation should be conducted by qualified personnel only. Improper installation can be hazardous & deadly to property & life.

a. Flange Installation:

When installing to a flanged connection, make sure the mating flange is the same size as the flange on the monitor. Use the proper flange gasket to make a watertight seal. Use a minimum of grade 5 bolts with galvanized finish. Make sure each hole in flange has been used and the thread engagement is 1.5 x bolt diameter. It is advisable to use a locking mechanism such as lock washers underneath the nuts. Tighten to proper torque.

5. Operation

****Warning****

Operation should be conducted by qualified personnel only. Water jet & reaction forces can be hazardous & deadly to property & life. Use with extreme caution.

1. Make sure all connections to the monitor are tight as per above instructions.
2. All travel rotations are locked.
3. Monitor outlet is not pointed to people or animals.
4. Open water supply valve slowly.
5. Check for leaks.
6. At this point slowly loosen the travel locks so you can rotate the monitor.
7. For shutdown lock travel locks in position. Slowly turn off water supply.

6. Maintenance

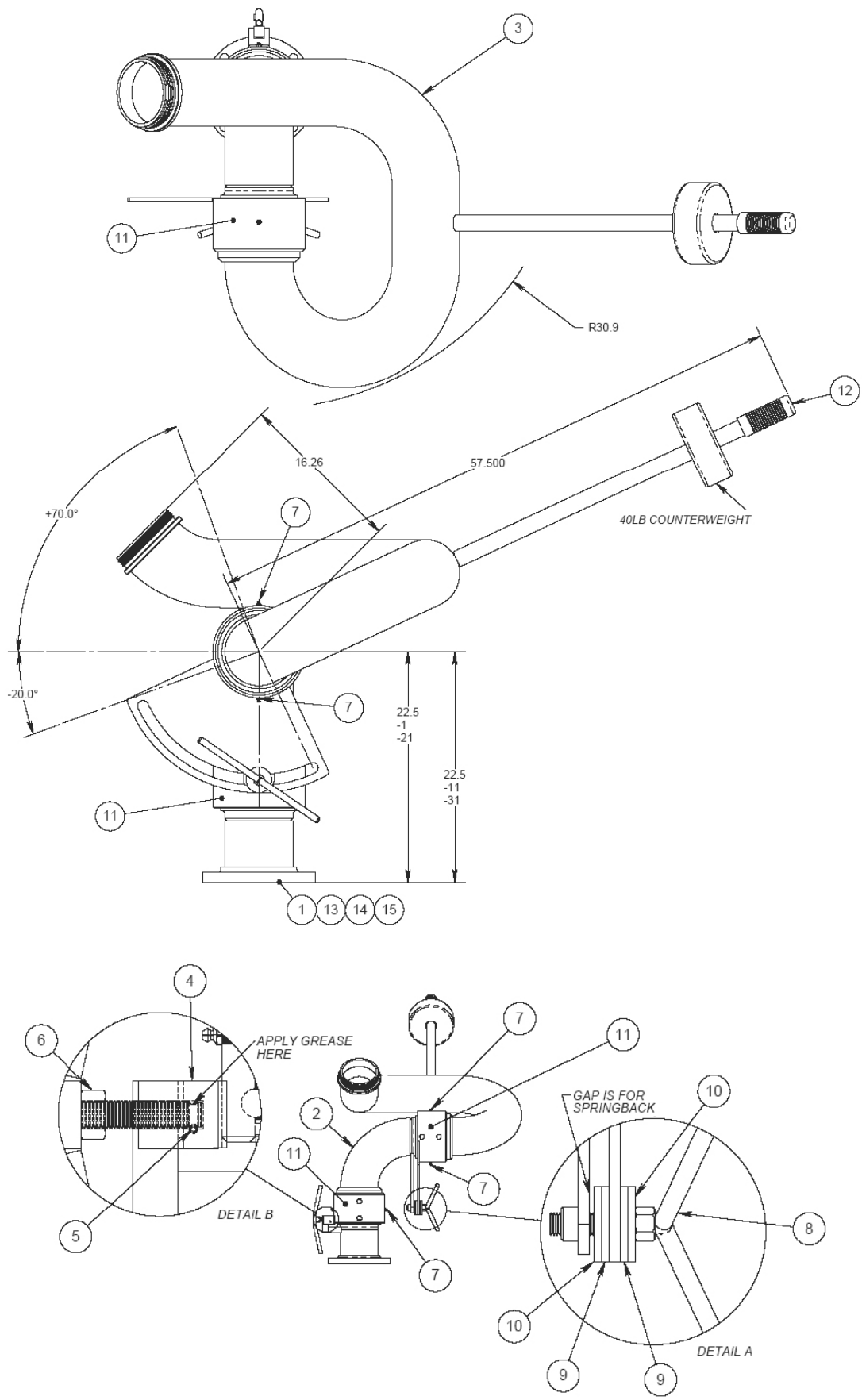
- a. For swivel maintenance refer to TB-17 at the end of this document.
- b. Threads on lock knobs need to stay lubricated with anti seize lubricant.

7. Storage

- a. Make sure all water is removed from waterway.
- b. Swivel is well greased.
- c. Outlet/Inlet is closed (to prevent animals or debris from collecting inside).

8. Parts Breakdown

1	-	-	-	15	802130-31	BASE INTAKE, 6.00" W/8.0-150#FF, STL-AB
-	1	-	-	14	802130-21	BASE INTAKE, 6.00" W/6.0-150#FF, STL-AB
-	-	1	-	13	802130-11	BASE INTAKE, 6.00" W/8.0-150#RF, STL-AB
1	1	1	1	12	100256-7	GRIP, HANDLE, BLACK
2	2	2	2	11	103831-101	KIT, SWIVEL REPAIR, 6.0" NOM.
2	2	2	2	10	112445-1	WASHER, FLAT, .760ID X2.50OD X.25T, 304
2	2	2	2	9	112450-1	WASHER, FLAT, .760ID X2.50OD X.25T, BLACK DELRIN
1	1	1	1	8	103913-1	HANDLE, SS LOCK (LARGE)
4	4	4	4	7	100112-5	FTG,GRS,STR, 125-27NPT,C304
1	1	1	1	6	104602-1	HANDLE, 6.00" SWIVEL BRAKE
1	1	1	1	5	100059-23	PIN, ROLL, .188D X 1.50L, 18-8
1	1	1	1	4	104603-1	BLOCK, 6.00" SWIVEL BRAKE
1	1	1	1	3	802250-11	ELL, UPPER, 6.00" STATION W/BLADELOCK, STL-AB
1	1	1	1	2	802180-11	ELL, LOWER, 6.00" LR W/BLADELOCK, STL-AB
-	-	-	1	1	802130-1	BASE INTAKE, 6.00" W/6.0-150#RF, STL-AB
-31/QTY.	-21/QTY.	-11/QTY.	-1/QTY.	ITEM #	PART #	DESCRIPTION



Disclaimer: This advice is given in good faith but not without liability