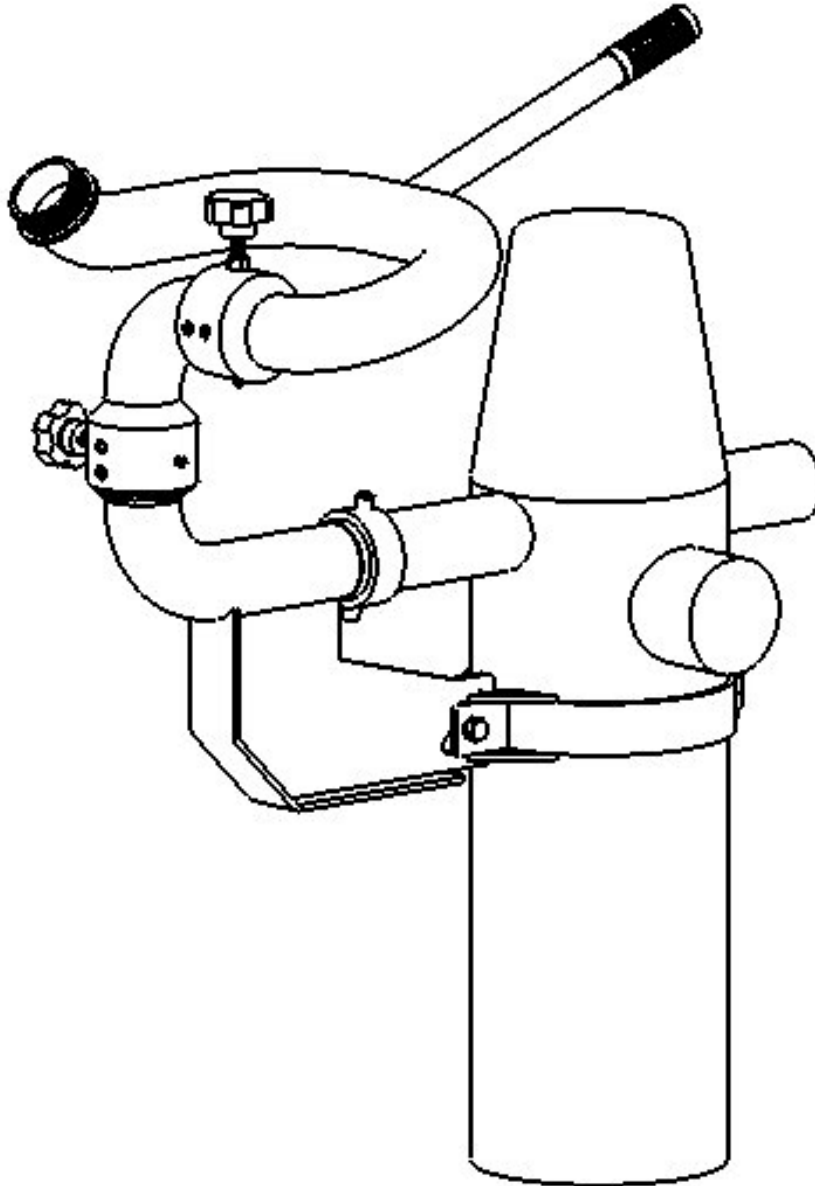


INSTALLATION & OPERATION MANUAL

STANG HYDRANT MOUNT MONITORS

MODEL: 103785-1-_____

MODEL: 103787-1-_____



STANG INDUSTRIAL PRODUCTS
16692 BURKE LANE
HUNTINGTON BEACH, CA 92647
PH 714-556-0222 FX 714-546-8017
WWW.STANGINDUSTRIAL.COM

INSTALLATION:

1. TIGHTEN SWIVEL (ITEM 4) ONTO HYDRANT THREADS. MAKE SURE GASKET (ITEM 9) IS STILL IN PLACE.
2. THERE SHOULD BE APPROX. 1/2 INCH BETWEEN MOUNT (ITEM 1) AND THE HYDRANT BODY.
3. INSTALL CLAMPS WITH HARDWARE PROVIDED. MOUNT (ITEM 1) SHOULD BE SANDWICHED BETWEEN CLAMPS. CLAMPS SHOULD BE TIGHT AROUND HYDRANT BODY.
4. BELOW IS A TYPICAL INSTALLATION.

OPERATION:

1. MAKE SURE ALL FITTINGS AND HARDWARE IS INSTALLED PROPERLY.
2. MAKE SURE MONITOR OUTLET IS POINTED TOWARD SAFE SHOOTING AREA.
3. TURN ON WATER SLOWLY TO TEST FOR LEAKS.
4. LOCK KNOBS ON MONITOR LOCK THE VERTICAL AND HORIZONTAL TRAVELS.

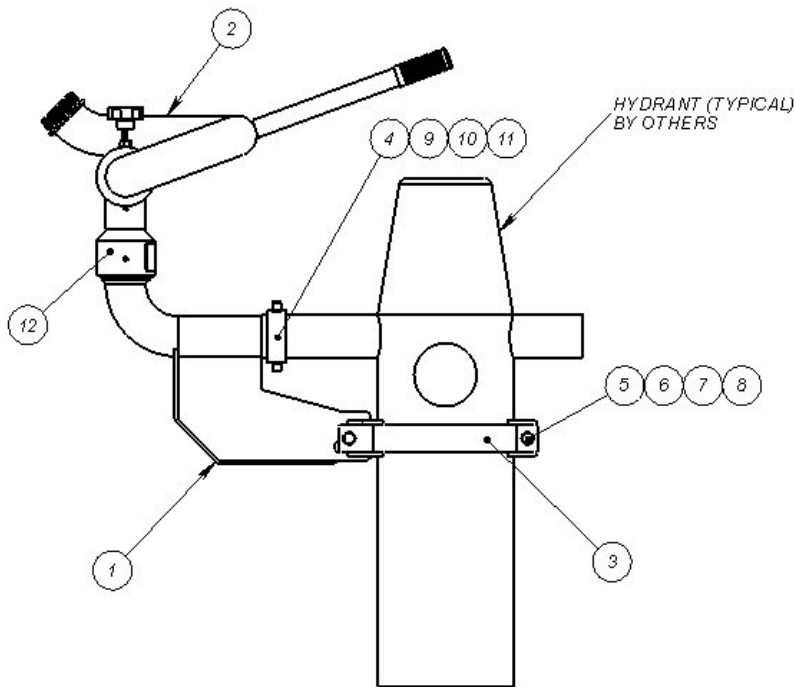
MAINTENANCE

1. GREASE SWIVELS AS PER SWIVEL MAINTENANCE INSTRUCTIONS.
2. REPLACEMENT PARTS ON BOM BELOW.

GENERAL NOTES:

EACH HYDRANT MOUNT IS A CUSTOM PRODUCT. THE DASH NUMBER IS THE SAME AS THE SALES ORDER NUMBER. CONTACT STANG FOR OPTIONS AND MORE INFORMATION

TYPICAL INSTALLATION:



12	1	103829-1	KIT, 2.50" NOMINAL SWIVEL
11	37	100349-1	DISC, SWIVEL, .25OD, BRZ
10	1	102194-1B	SCREW, SET, FLAT, 3/8-24UNF X .25L, BRS
			GASKET, NEOPRENE, SHORE A 60-70
9	1	100275-1	SIZE: 3.25 ODx2.56 IDx.19 T
8	2	102962-5C	NUT, HEX, 1/2-13UNC, 18-8
7	2	103109-6C	WASHER, LOCK, SPLT, 1/2" NOM., 18-8
6	4	101715-50C	WASHER, FL .515 IDx1.25ODx.078T, SS
5	2	102475-200C	BOLT, HH, 1/2-13UNC X 2.00L, 18-8
4	1	102683-3	SWIVEL, F/M 2.5-7.5NH, AC
3	2	900188-XXXX	CLAMP, XXXX' HYDRANT HALF
2	1	100309-111	MONITOR, 2.5" STATION LESS BASE, STL
1	1	103784-XXXXX	MOUNT, BARE HYDRANT FOR SO:XXXXX
ITEM NO.	QTY.	PART NO.	DESCRIPTION