

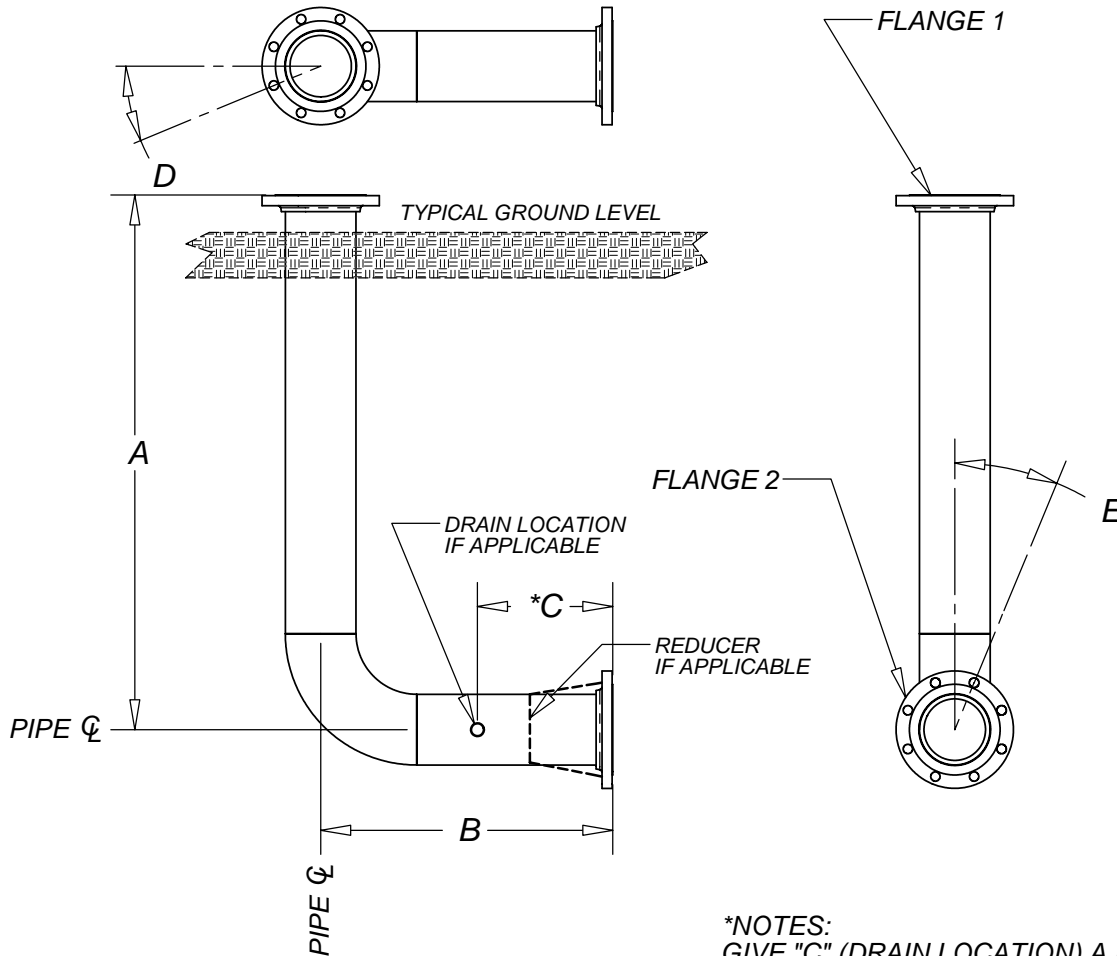
STANG CUSTOM STANDPIPE DATA SHEET

FILL IN DIMENSIONAL INFORMATION AS APPLICABLE

FOR USE WITH:

STANG MODEL: 101984-XXXXX, WHERE XXXXX IS STANG SALES ORDER #.

CUSTOMER MUST FILL OUT THIS SHEET AND SUBMIT TO STANG AT TIME OF ORDER. STANDPIPE WILL BE FABRICATED TO DIMENSIONS PROVIDED. CONTACT STANG SALES FOR SPECIAL OPTIONS.



*NOTES:
GIVE "C" (DRAIN LOCATION) A DIMENSION IF APPLICABLE. STANDARD IS 3/4" FEMALE NPT COUPLING

CUSTOMER FILL OUT	
A-	E-
B-	*FINISH
*C-	
D-	
FLANGE 1 TYPE & SIZE:	
FLANGE 2 TYPE & SIZE:	
WATERWAY SIZE:	
WATERWAY MATERIAL: STANDARD IS SCH80	

CUSTOMER COMMENTS:

CUSTOMER SIGN OFF: _____



STANG INDUSTRIAL PRODUCTS
16692 BURKE LANE
HUNTINGTON BEACH, CA 92647
PH 714-556-0222 FX 714-546-8017
WWW.STANGINDUSTRIAL.COM

STANG USE ONLY

SO #: _____

CUSTOMER: _____