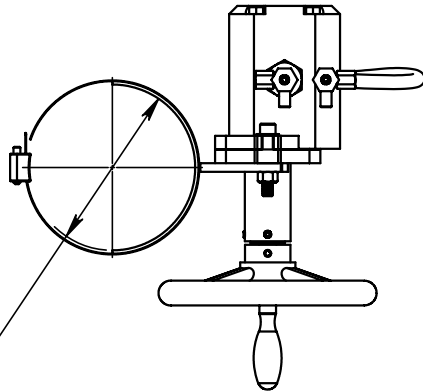


NOTES:

- 1) DO NOT SCALE THIS DRAWING
- 2) BREAK ALL SHARP EDGES
- 3) ALL DIMENSIONS DISPLAYED IN PARENTHESES ARE FOR REFERENCE ONLY

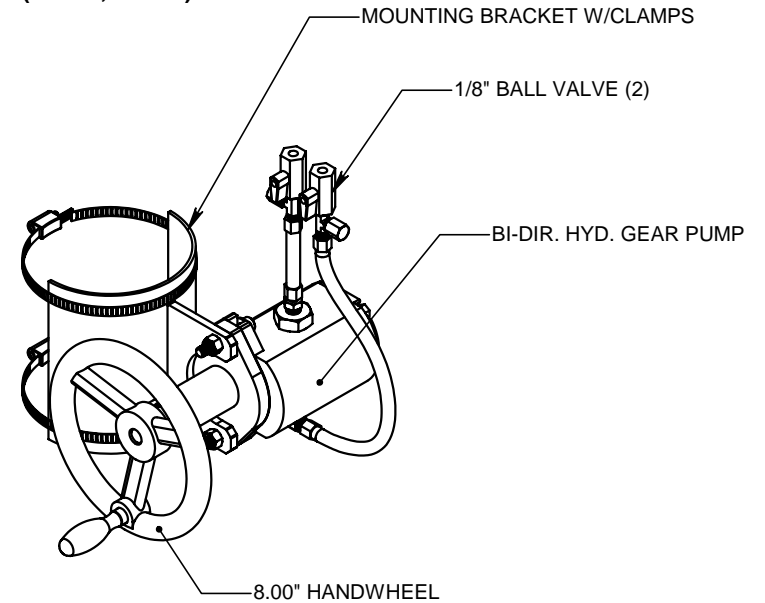
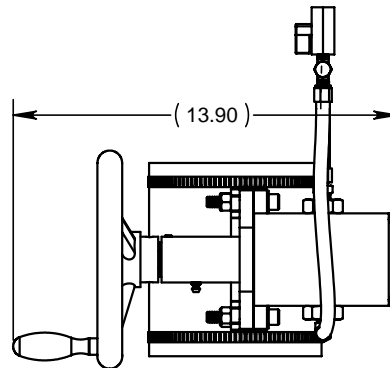
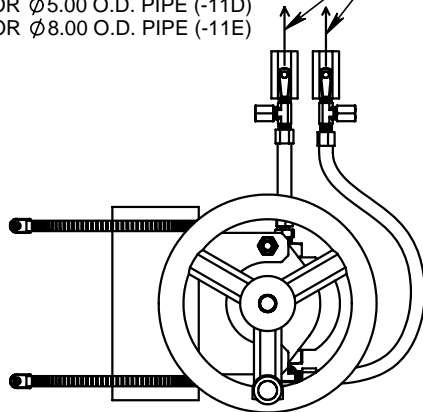
4) REF: SEE TECHNICAL BULLETIN TB-67 FOR BLEEDING AND OPERATION INSTRUCTIONS


- 887700-11A: FOR MOUNTING ON 6.00" DIA. PIPE (BB3377)**
887700-11B: FOR MOUNTING ON 4.50" DIA. PIPE (BB2999, C2999, D2999)
887700-11C: FOR MOUNTING ON 4.00" DIA. PIPE (BB3561)
887700-11D: FOR MOUNTING ON 5.00" DIA. PIPE (C3561, D3561)
887700-11E: FOR MOUNTING ON 8.00" DIA. PIPE (C3377, D3377)



FOR Ø6.00 O.D. PIPE (-11A)
 FOR Ø4.50 O.D. PIPE (-11B)
 FOR Ø4.00 O.D. PIPE (-11C)
 FOR Ø5.00 O.D. PIPE (-11D)
 FOR Ø8.00 O.D. PIPE (-11E)

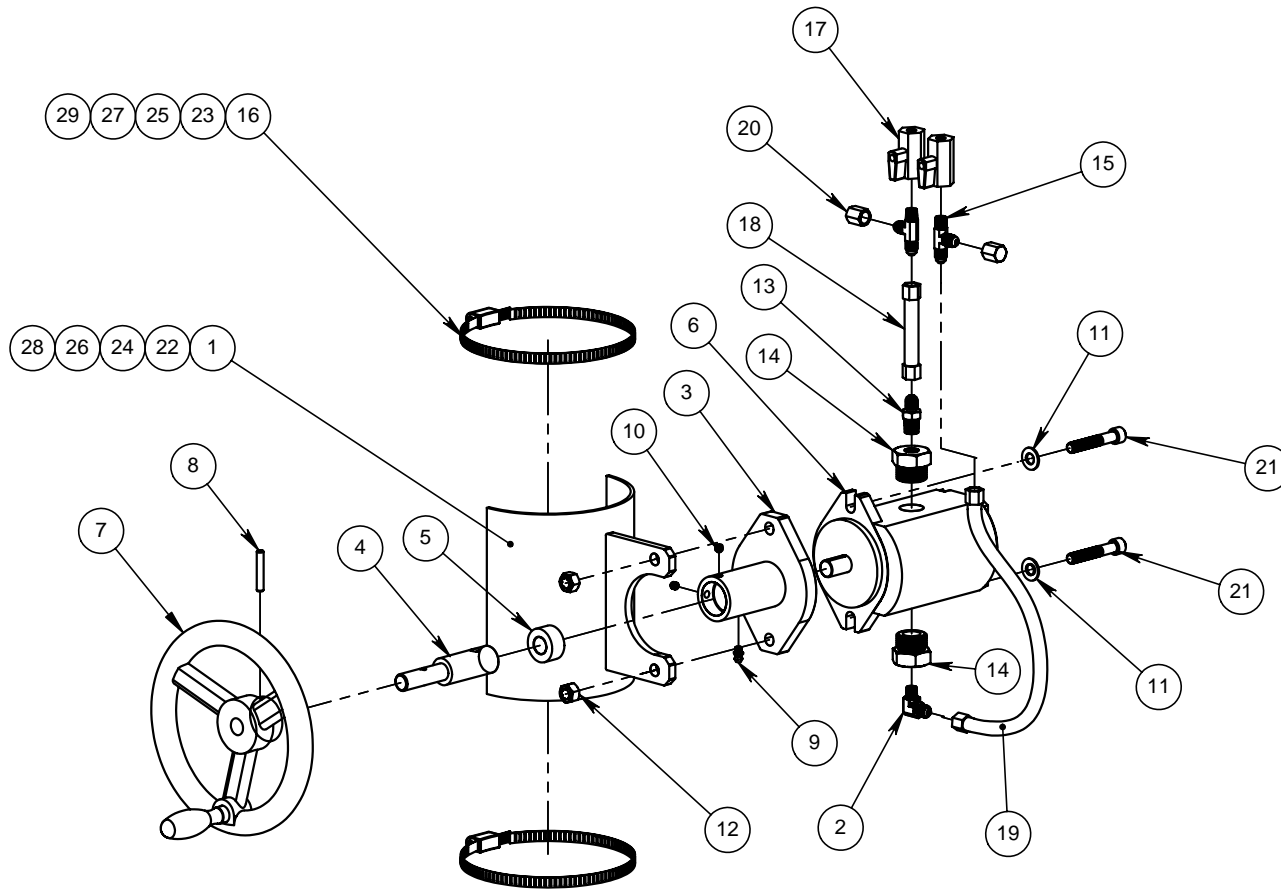
TO EXISTING HYDRAULIC LINES



UNLESS OTHERWISE SPECIFIED: DIMENSIONS ARE IN INCHES TOLERANCES DECIMALS ANGULAR .XX ±.03 ±2° .XXX ±.010		 STANG INDUSTRIAL PRODUCTS A DIVISION OF GST INDUSTRIES 16692 BURKE LN. HUNTINGTON BEACH, CA 92647			
DO NOT SCALE DRAWING				GEAR PUMP INSTALL. KIT (RETRO-FIT)	
TREATMENT	N/A	PART#	887700-11	REF PART #	
FINISH	N/A	CAGE	55822	DRAWN	RBS
NOTE	N/A	DATE	10/15/01	DESIGN	
		SCALE	1:4.5	REVISION	A
				SHEET	1 OF 3

A	ADDED DASH #S 11, 21, 31 & 41	09/30/03	RBS
LTR	REVISIONS	DATE	BY

The information and design disclosed herein is the property of GST Industries Inc. All proprietary use and sales rights thereto are reserved. This disclosure is confidential and must not be copied in whole or part.



UNLESS OTHERWISE SPECIFIED: DIMENSIONS ARE IN INCHES
 TOLERANCES
 DECIMALS ANGULAR
 .XX ±.03 ±2°
 .XXX ±.010
DO NOT SCALE DRAWING



STANG INDUSTRIAL PRODUCTS
 A DIVISION OF GST INDUSTRIES
 16692 BURKE LN.
 HUNTINGTON BEACH, CA 92647

GEAR PUMP INSTALL. KIT (RETRO-FIT)

TREATMENT	N/A		PART#	887700-11		REF PART #		
FINISH	N/A		CAGE	55822	DRAWN	RBS	REVISION	A
NOTE	N/A		DATE	10/15/01	DESIGN		SHEET	2 OF 3
						SCALE	1:4	

The information and design disclosed herein is the property of GST Industries Inc. All proprietary use and sales rights thereto are reserved. This disclosure is confidential and must not be copied in whole or part.

ITEM NO.	PART NUMBER	DESCRIPTION	-11A/QTY.	-11B/QTY.	-11C/QTY.	-11D/QTY.	-11E/QTY.
1	887693-1	BRACKET, GEAR PUMP, 6.00" ID	1	-	-	-	-
2	101822-1	FITTING, 90°, 1/8-27(M)NPT X 7/16-20(M)JIC, BRASS	1	1	1	1	1
3	105428-5	HOUSING,OIL MOTOR OVER	1	1	1	1	1
4	105428-2	SHAFT, MOTOR PUMP/HANDWHEEL	1	1	1	1	1
5	105428-3	BUSHING, MOTOR PUMP/HANDWHEEL	1	1	1	1	1
6	105434-13	MOTOR, GEAR	1	1	1	1	1
7	105503-1	HANDWHEEL, 8" OD, .63 HUB BORE	1	1	1	1	1
8	100059-49	PIN, SPRING, .25Dx1.50L, CRES	1	1	1	1	1
9	100112-8	FITTING, ZERK, STR, 1/4-28UNF, CRES	1	1	1	1	1
10	101348-2C	SETSCREW, CP, .25-28UNFx.25L, CRES	2	2	2	2	2
11	100064-4C	WASHER, .375 FLAT CRES	2	2	2	2	2
12	100249-11C	NUT, NYLOCK, 3/8-16UNC, 18-8	2	2	2	2	2
13	4-4FTX-B	ADAPTER, 1/4"NPT(MALE) - 7/16" JIC (MALE) BRASS	1	1	1	1	1
14	887701	ADAPTER, 1 1/16" (M)SAE X 7/16(M)JIC, STL	2	2	2	2	2
15	4RTX-B	TEE, 7/16"JIC(MALE) X 1/4" NPT. BRASS	2	2	2	2	2
16	100147-3	CLAMP, HOSE, 5.688-6.500 X .75WIDE, CRES	2	-	-	-	-
17	4912K46	VALVE, BALL, 1/8" FEMALE	2	2	2	2	2
18	105536-1-12	HOSE ASSY, 1/4 X 12.00L 7/16JIC (F) FR	1	1	1	1	1
19	105536-1-15	HOSE ASSY, 1/4 X 15.00L 7/16JIC (F) FR	1	1	1	1	1
20	4FNTX-B	CAP, 7/16-20(F)JIC, BRASS	2	2	2	2	2
21	104036-225C	SCREW, SHC, 3/8-16UNC X 2.25L, 18-8	2	2	2	2	2
22	887693-11	BRACKET, GEAR PUMP, 4.50" ID	-	1	-	-	-
23	100147-7	CLAMP, HOSE, 4.12D-5.00D X .75WIDE, CRES	-	2	-	-	-
24	887693-21	BRACKET, GEAR PUMP, 4.00" ID	-	-	1	-	-
25	100147-6	CLAMP, HOSE, 3.81D-4.75D X .75WIDE, CRES	-	-	2	-	-
26	887693-31	BRACKET, GEAR PUMP, 5.00" ID	-	-	-	1	-
27	100147-8	CLAMP, HOSE, 4.62D-5.50D X .75WIDE, CRES	-	-	-	2	-
28	887693-41	BRACKET, GEAR PUMP, 8.00" ID	-	-	-	-	1
29	100147-12	CLAMP, HOSE, 6.13D-9.13D X .75WIDE, CRES	-	-	-	-	2

UNLESS OTHERWISE SPECIFIED: DIMENSIONS ARE IN INCHES TOLERANCES
DECIMALS ANGULAR
.XX ±.03 ±2°
.XXX ±.010
DO NOT SCALE DRAWING



STANG INDUSTRIAL PRODUCTS
A DIVISION OF GST INDUSTRIES
16692 BURKE LN.
HUNTINGTON BEACH, CA 92647

GEAR PUMP INSTALL. KIT (RETRO-FIT)

TREATMENT	PART# 887700-11		REF PART #	B
FINISH	CAGE	DRAWN	CHECK	REVISION
NOTE	DATE	DESIGN	SCALE	SHEET
N/A	55822	RBS	1:4	A
N/A	10/15/01			3 OF 3

The information and design disclosed herein is the property of GST Industries Inc. All proprietary use and sales rights thereto are reserved. This disclosure is confidential and must not be copied in whole or part.