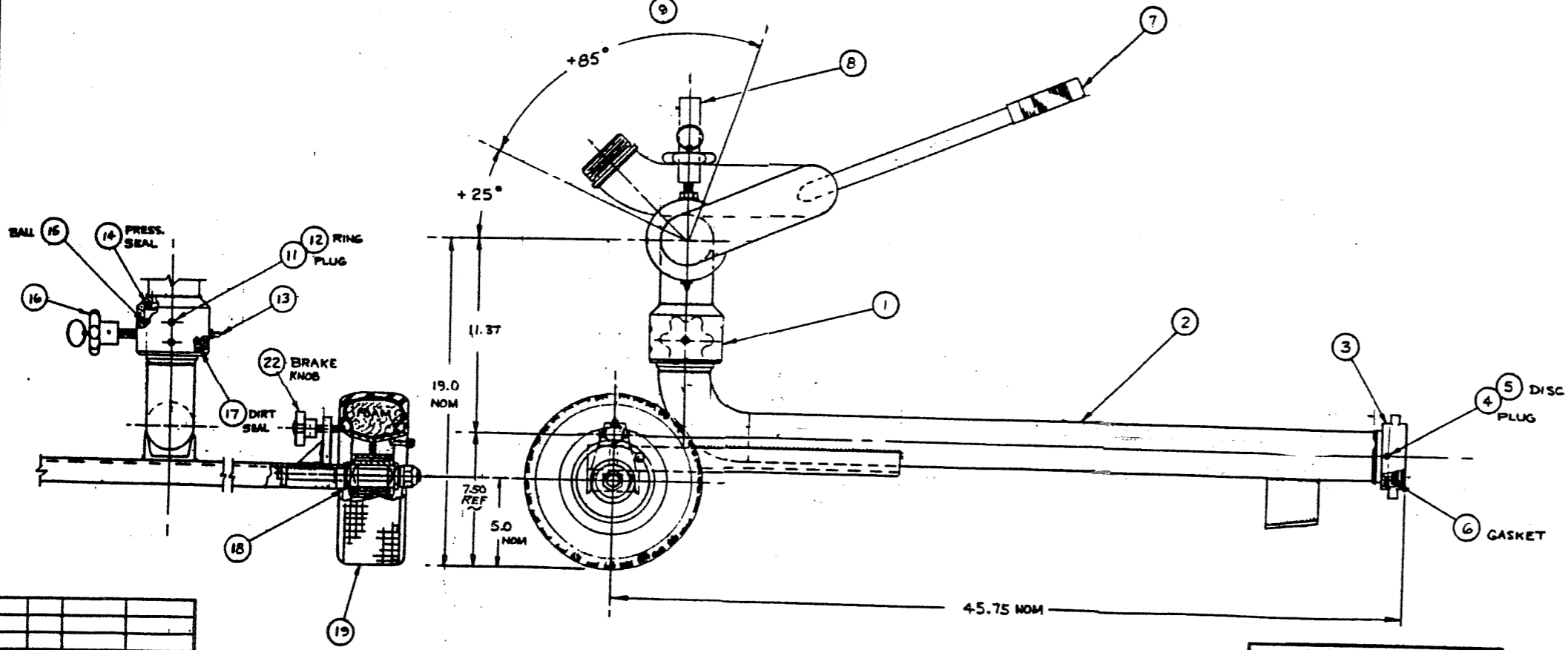
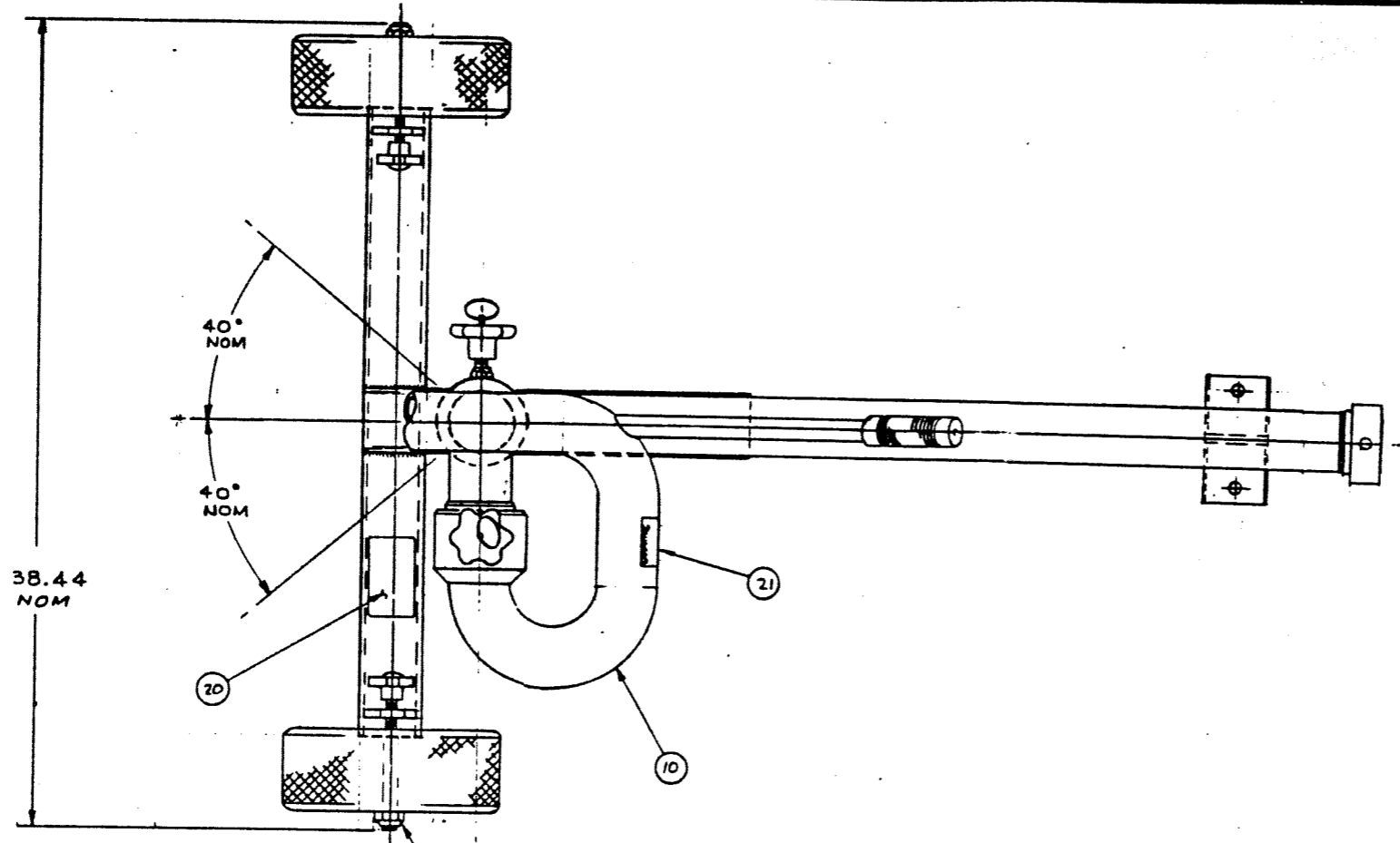


NOTES: (UNLESS OTHERWISE SPECIFIED):
 1. DO NOT SCALE THIS DRAWING.
 2. REMOVE BURRS & SHARP EDGES.
 3. IDENTIFY WITH P/N.
 4. OPTIONAL: TO BE SPECIFIED BY S/O IF REQ'D.

REV	REVISIONS	DATE	BY
A	ADDED ITEM (22) BRAKE KNOB; 7.50 REF WAS 7.62 DIM	11-2-93	AKH
B	ITEM (9) WAS: P100794-1 NOW: A104503-1	1-26-98	AKH



QTY	PART NO.	ITEM	NOMENCLATURE	MATERIAL
2	B100983-1	22	KNOB, BRAKE (NEW 2.00 A'DIM)	
1	A103645-1	21	LABEL, WARNING	
1	B100853-1	20	ID. PLATE	
2	A104503-1	19	TIRE / WHEEL ASSY (FOAM FILLED)	
4	P101715-75	18	WASHER, FLAT (ANS60-12IG REP)	
2	P100209-1	17	SEAL, DIRT .25 SQ X 10.0 LG	REF: FELT
2	C102537-11	16	KNOB ASSY LOCK (W/TAB)	
168	P100083-K	15	BALL, .250 SPH. DIA GRD 500 OR BETTER	REF: CRES
2	B103803-2	14	SEAL, PRESS. 2.5 NOM	
2	P100112-8	13	GREASE FITTING	
4	P101497-50	12	RING, RETAINING (INTERNAL)	
4	A103361-1	11	PLUG, BALL	
1	D10336-111	10	ELL, UPPER 2.5 NOM	
2	P100249-13	9	NUT, LOCK .75-10UNC (GREER TYPE)	REF: CRES
1	B103400-1	8	PRESSURE GAUGE & GUARD (OPTIONAL)	
1	P100256-8	7	GRIP, HANDLE (1.0 PIPE)	
1	B100275-1	6	GASKET	
44	B100349-1	5	DISC .25 DIA	REF: BRASS
1	P102154-1	4	PLUG .38-24UNF (DISC)	REF: BRASS
1	B102683-3	3	SWIVEL (25MM F-TND)	
1	D104086-1	2	TRAILER WELD'T 2.5 NOM	
1	B100832-1	1	ELL, LOWER 2.5 NOM	

QTY	PART NO.	ITEM	NOMENCLATURE	MATERIAL
1				

UNLESS OTHERWISE SPECIFIED		STANG HYDRONICS INC.	
DIMENSIONS ARE IN INCHES		MANUFACTURING GROUP	
TOLERANCES		ORANGE, CALIFORNIA CODE IDENT. 13189	
X ± .1	ALL MACHINED SURFACES	2.5" TRAILER MONITOR -	
.XX .03	✓ ARITHMETIC AVERAGE		
.XXX .010			
ANGULAR ± 2°			
HEAT TREAT:			
PROTECTIVE FINISH:			

PROPRIETARY INFORMATION
 The information and design disclosed herein is the property of Stang Manufacturing Group. All Proprietary, use and sales rights therein are reserved. This disclosure is confidential and must not be copied in whole or part.

SUPPLY QTY	NEXT ASSY.	FINAL ASSY.	END ITEM

APPLICATION: _____
 BISHOP GRAPHICS/ACCUPRESS
 REORDER NO. A29200

DATE 1-25-98 DRAWN BY P/C CHECKED BY P/C
 SCALE 1/4" = 1" DESIGN BY P/C APPROVED BY P/C
 PROJ NO 0159 SHEET 1 OF 1
 DRAWING NO D104085 REV 8